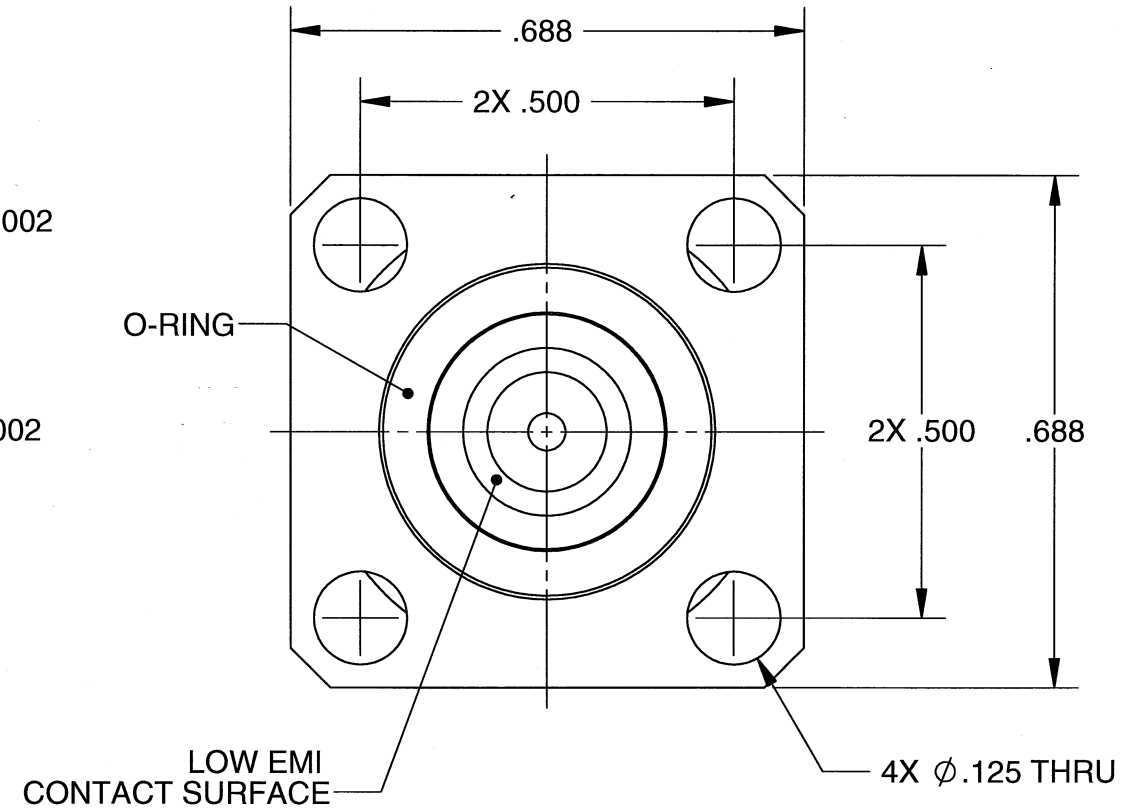
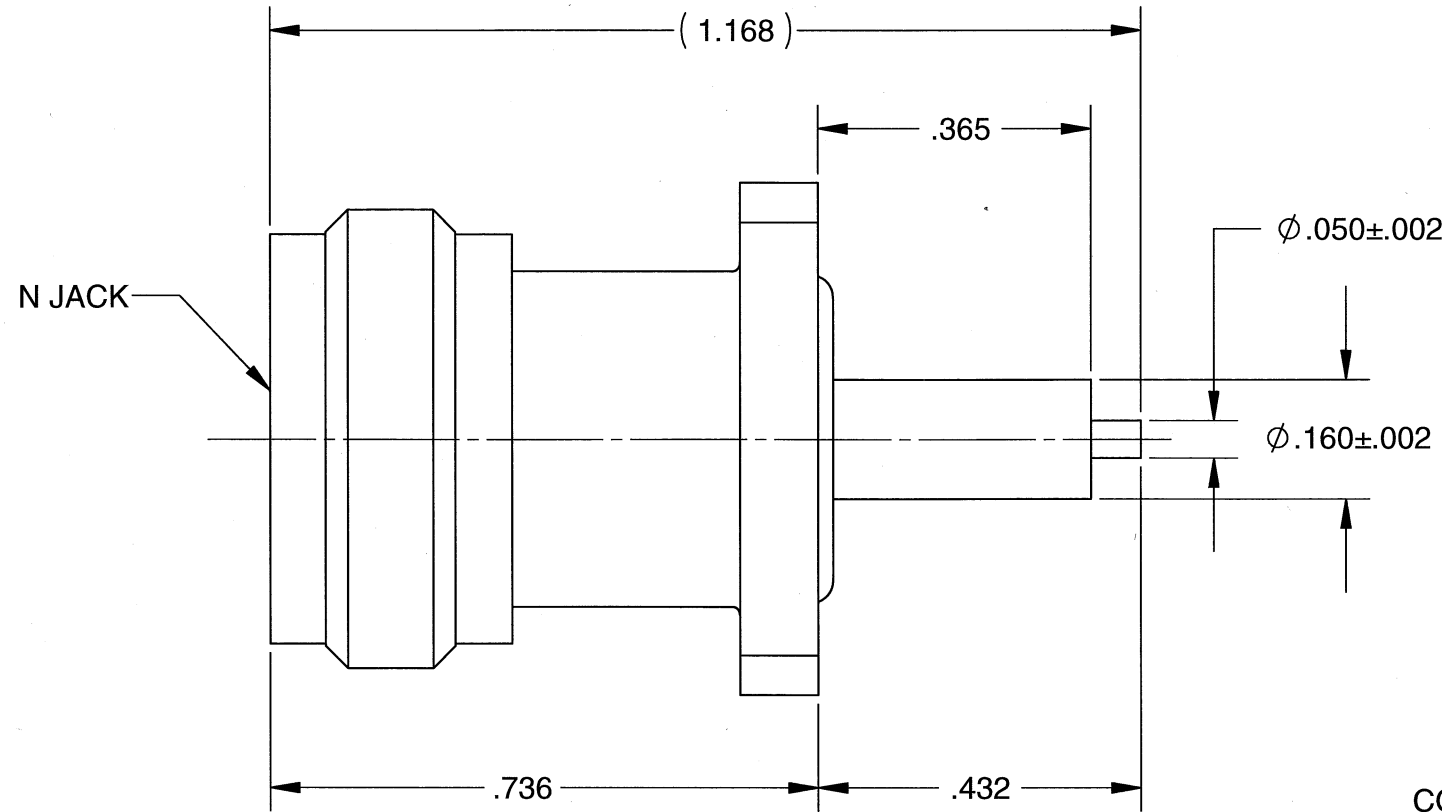


THIS DOCUMENT AND ALL INFORMATION THEREIN CONTAINED ARE EXCLUSIVE PROPERTY OF COBHAM, THE RECIPIENT AGREES NOT TO REPRODUCE OR DISTRIBUTE TO ANY THIRD PARTY WITHOUT THE PRIOR WRITTEN CONSENT OF COBHAM.

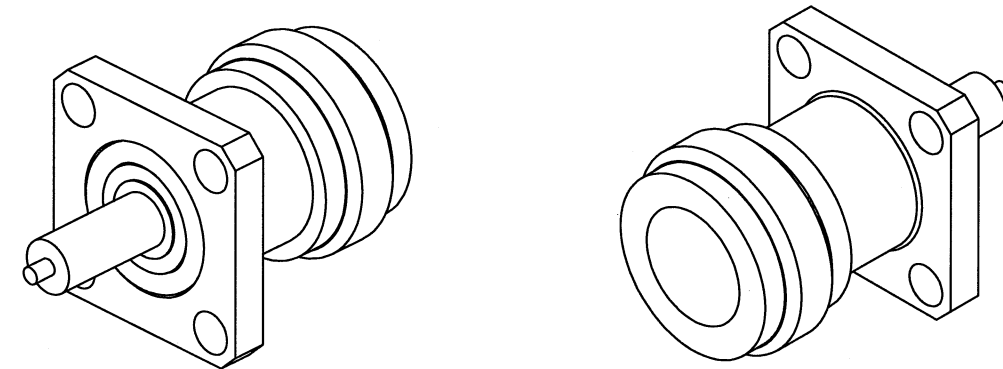
CAD GENERATED DRAWING, DO NOT MANUALLY UPDATE

REVISIONS			
REV	DESCRIPTION	DATE	APPROVED
B	REVISED PER ECO 13109	1/26/12	JDA



SPECIFICATIONS:

1. ELECTRICAL:
 - 1.1 FREQUENCY RANGE: 0-18 GHz.
 - 1.2 VSWR: $1.05 + .005 * F$ (GHz) :1 MAX.
 - 1.3 IMPEDANCE: 50 OHMS.
 - 1.4 VOLTAGE RATING: 1000V RMS.
 - 1.5 DIELECTRIC WITHSTANDING VOLTAGE: 2500V RMS.
 - 1.6 INSULATION RESISTANCE: 5000 MEGOHMS MIN.
 - 1.7 TEMPERATURE RANGE: -65°C TO + 165°C
2. MATERIAL:
 - 2.1 HOUSING: BRASS PER ASTM B36.
 - 2.2 CENTER CONTACT: BERYLLIUM COPPER UNS #C17300 PER ASTM B196 OR ASTM B197.
 - 2.3 DIELECTRIC: PER ASTM D 1710, TYPE 1, GRADE 1.
 - 2.4 O-RINGS: SILICONE PER A-A-59588, CLASS 1B, GRADE 50, RED.
3. FINISH:
 - 3.1 HOUSING: BRIGHT ALLOY PLATE
 - 3.2 CENTER CONTACT: GOLD PLATE PER ASTM B488.
4. MECHANICAL: PER MIL-STD-348
 - 4.1 CENTER CONDUCTOR EPOXY CAPTIVATED, WITH A MIN SPIN TORQUE OF 7in-oz AND MIN AXIAL RETENTION OF 6lbs.
5. SUGGESTED SOURCE:
 - 5.1 EAST COAST MICROWAVE #46-4103-1.
6. DIMENSIONS IN () ARE FOR REFERENCE ONLY.



VARIOUS	VARIOUS
NEXT ASSY	USED ON
APPLICATION	

TOLERANCES	
DECIMALS	ANGLES
.XX ±.01	±1/2°
.XXX ±.005	
.XXXX ±.0005	
UNLESS OTHERWISE SPECIFIED DIMENSIONS ARE IN INCHES DO NOT SCALE DRAWING	
UNLESS OTHERWISE SPECIFIED $\sqrt{63}$ ALL OVER	
CUSTOMER:	
CUSTOMER P/N:	
SIMILAR TO:	

COBHAM		Continental Microwave, dba Cobham Sensor Systems Microwave Components Exeter, NH 03833	
DRAWN BY M. DALY	DATE 3/15/06	TITLE CONNECTOR, TYPE N, FEMALE 4 HOLE FLG. MOUNT, STRAIGHT	
CHECKED BY M. HOBSON	DATE 5/26/06	APPROVED P. P.	DATE 5/30/06
Q.C.		DATE	DATE
DWG INCORPORATES THIRD ANGLE PROJECTION		SIZE B	CAGE 66544
		DRAWING NO. 102481	SCALE: 4:1
		CAD FILE: 102481.SLDDRW	SHEET: 1 OF 1