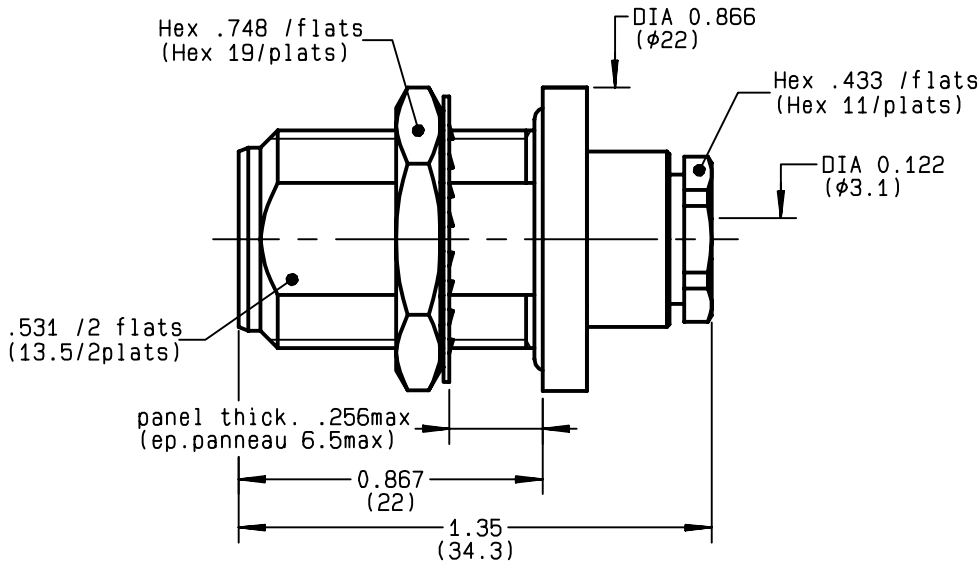
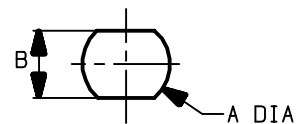


**STRAIGHT BULKHEAD JACK PANEL SEAL
CLAMP TYPE - CABLE 2.6/50+75**

R161.322.000
SERIES N



PERCAGE PANNEAU
MOUNTING HOLE



	MM		INCH	
	maxi	mini	maxi	mini
A	16.1	16	0.634	0.63
B	13.7	13.6	0.539	0.535

NOMINAL IMPEDANCE	50	Ω
FREQUENCY RANGE	0-11	GHz
TEMPERATURE RATING	-55/+155	°C
V.S.W.R	1.40*	+ x F(GHz)Maxi
RF INSERTION LOSS	0.048	√F(GHz) dB Maxi
VOLTAGE RATING	250	Veff Maxi
DIELECTRIC WITHSTANDING VOLTAGE	750	Veff Mini
INSULATION RESISTANCE	5000	M ΩMini
HERMETIC SEAL	NA	Atm.cm ³ /s
LEAKAGE (pressurized only)	IP 67	
MECHANICAL DURABILITY	500	Cycles
WEIGHT	41.1	gr
SPECIFICATION		

- CABLES : **K02252D**
K02252D SPL
KX 22A
RD 316
RG 179
RG 187
RG 188
RG 316

OTHERS CHARACTERISTICS

*** pour cablage sur 50 ohms**

CABLE RETENTION	40	N Mini
CENTER CONTACT RETENTION		
Axial force - mating end	27	N Mini
Axial force - opposite end	27	N Mini
Torque	NA	cm.N Mini
RECOMMENDED TORQUES		
Mating	NA	cm.N
Panel nut	500	cm.N
Clamp nut	150	cm.N

CONNECTOR PARTS	MATERIALS	FINISH	(all values are given in micrometers)
BODY	BRASS	BBR 2	
OUTER CONTACT	BRASS	BBR 2	
CENTER CONTACT	BERYLLIUM COPPER	GOLD 0.5 OVER NICKEL 2	
INSULATOR	PTFE	-	
GASKET	SILICONE RUBBER	-	
OTHERS PIECES	BRASS	BBR 2	

BONOMINI

ISSUE 0306J00	CREATION DATE 12/10/1992	FILE PART-NUMBER
-------------------------	------------------------------------	------------------



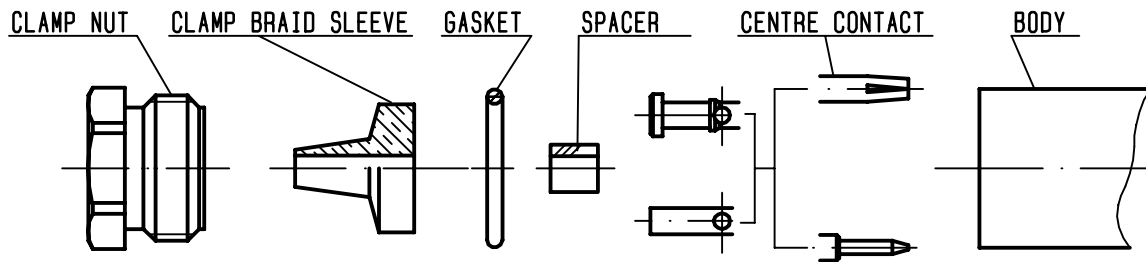
The information given here is subject to change without notice. Design changes may be in order to improve the product.

Connect to the future



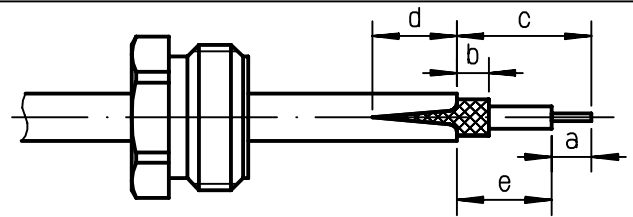
R161.322.000

ISSUE **0306J00** SERIES **N**



①

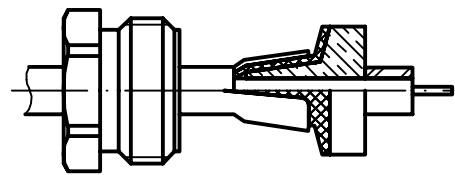
Slide clamp nut onto cable .
Strip the cable .
Cut the jacket (2 slots)
apart if necessary .
-



Stripping	a	b	c	d	e
inch	0.157	0.079	0.315	0.079	0.157
mm	4	2	8	2	4

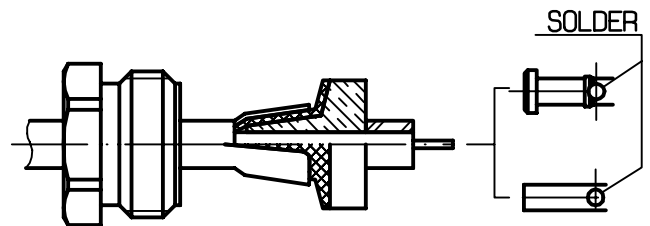
②

Slide the clamp braid sleeve between
cable dielectric and braid .
Cut the braid flush with the clamp
braid sleeve .
Slide the spacer .
-



③

Solder the cable inner conductor into
centre contact .
Slide the back nut over the clamp
assembly .
-
-
-



④

Mount the gasket into the connector .
Screw sub-assembly into the connector
body .
(recommended coupling torque 13.27 in.lb)
-

