

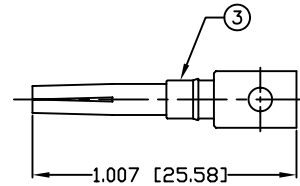
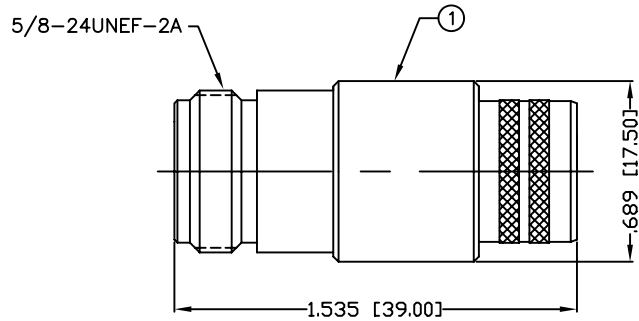
THIS DRAWING CONTAINS INFORMATION PROPRIETARY TO RF INDUSTRIES,
 ANY UNAUTHORIZED USE OF THIS DRAWING IS EXPRESSLY PROHIBITED
 WITHOUT WRITTEN PERMISSION FROM RF INDUSTRIES.
 ANY VIOLATION IS PUNISHABLE UNDER U.S. COPYRIGHT LAWS.

ALL DIMENSIONS ARE REFERENCE ONLY

PART NO.

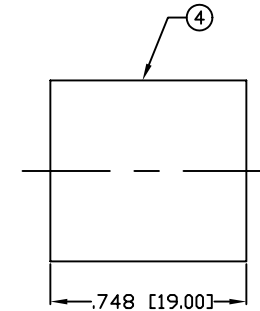
RFN-1028-2L2

REV	DESCRIPTION	DWN	DATE	APPROVED
A	ENGINEERING RELEASE	KMM	1/30/98	R. RICE
B	CHANGE SPECS FOR SHRINK TUBING	CZS	7/7/98	R. RICE
C	CHG. FERRULE STUD, CONTACT DESIGN & STRIPING DIM	GGG	1/14/02	JDMc
D	ADDED CRIMPING NOTES/ CABLE NOTES	JDMc	10/27/04	JDMc



RECOMMENDED SOLDER

(OPTIONAL: USE CRIMP TOOL RFA-4005-20, CRIMP DIE: .184")

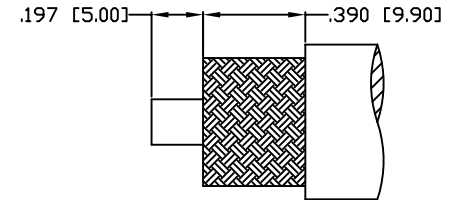


RECOMMENDED CRIMP DIE: .610"

CRIMP TOOL RFA-4009-20

SPECIFICATIONS:

IMPEDANCE: 50 Ohms
 FREQUENCY RANGE: 0-11 GHz
 VSWR: NO DATA
 INSERTION LOSS: .06 dB Max. X $\sqrt{f\text{GHz}}$
 WORKING VOLTAGE: 1k V rms @ sea level
 TEMPERATURE RANGE: -65°C TO 165°C
 INSULATION RESISTANCE: 5k M Ohms min.
 FOR TIMES LMR-600, LMR-600 ULTRAFLEX & T-COM-600, COMMSCOPE WBC-400, BELDEN 8214



RECOMMENDED STRIPPING DIMENSIONS

1	BODY	1	BRASS	SILVER, 80 μ "	008974	
2	INSULATOR	1	PTFE	---		
3	CONTACT	1	Be-Cu	GOLD, 30 μ "		
4	FERRULE	1	BRASS	SILVER, 80 μ "		
5						
6						
7						
8						
9						
10					DRAWN	
11					JDMc	
12					10/27/04	
13					CHECKED	
14					ORJ DRAWN	
					K. MAXWELL	
					1/30/98	
#	DESCRIPTION	QTY	MATRL	FINISH	APPROVALS	DATE

UNLESS OTHERWISE SPECIFIED:
 1. REMOVE ALL BURRS
 2. BREAK ALL CORNERS & EDGES .005 R. MAX.
 3. CHAMFER 1ST & LAST THREADS 45°
 4. SURFACE ROUGHNESS 63 FINISH MIL-STD-10
 5. DIAMETERS ON COMMON CENTERS TO BE CONCENTRIC WITHIN .002 T.I.R.
 6. ALL DIMENSIONS ARE AFTER PLATING.

DIMENSIONS ARE IN INCHES AND [MILLIMETERS]
 UNLESS OTHERWISE NOTED TOLERANCES ARE:
 DECIMALS .XXX±.003 [.08]
 .XX±.005 [.13]
 DIAMETER .XXX±.001 [.03]
 .XX±.003 [.08]

RFconnectors
 DIVISION OF RF INDUSTRIES, LTD.

7610 MIRAMAR RD
 SAN DIEGO, CA 92126
 (858) 549-6340
 (858) 549-6345 FAX

N JACK CRIMP

SIZE	CABLE GROUP	DWG NO.	REV
A	L2	RFN-1028-2L2	D
SCALE:	NTS	CAD FILE	OUTLINE
		SHEET	1 OF 1