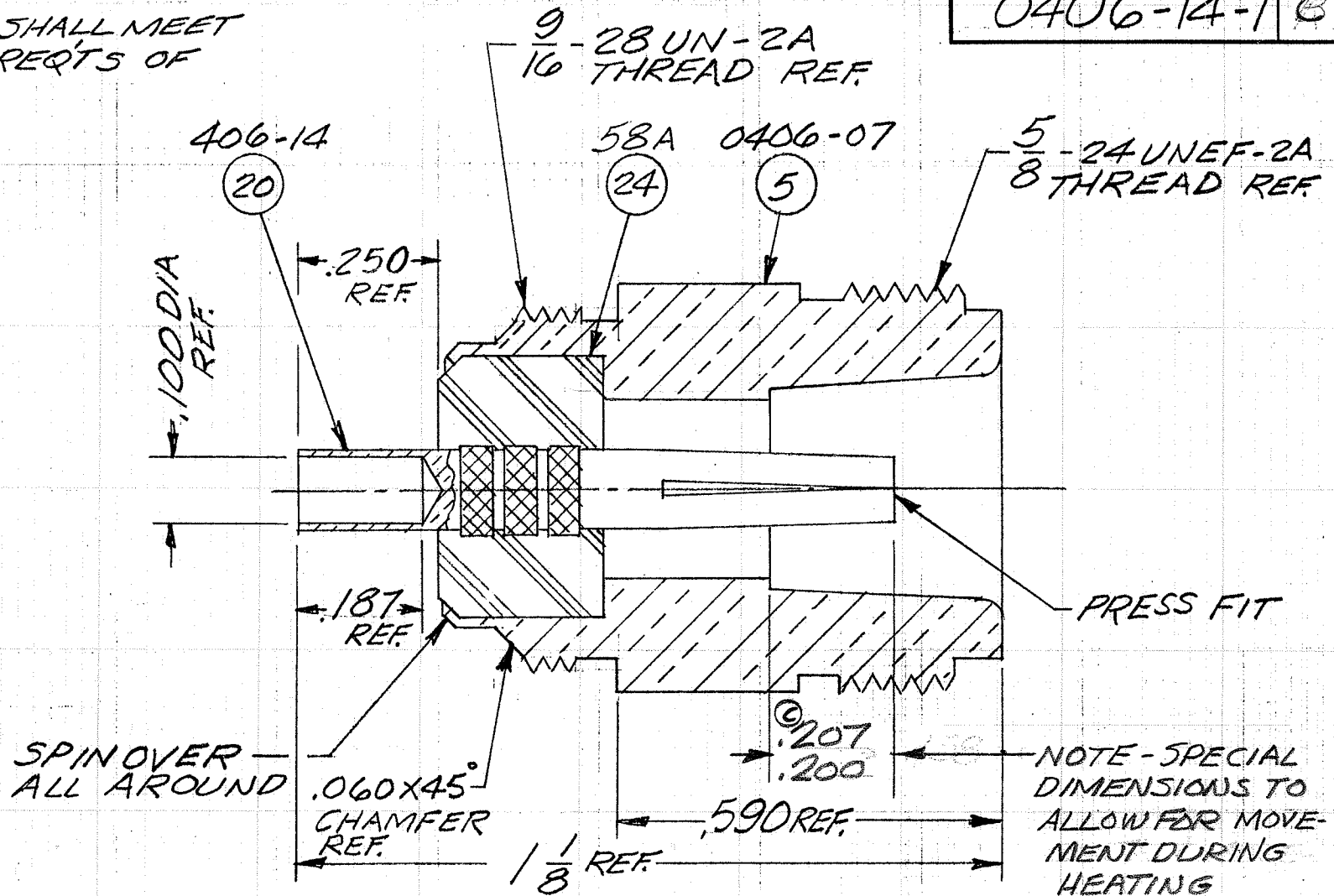


NOTES:

1. CONNECTOR SHALL MEET APPLICABLE REQTS OF MIL-C-71A.

DWG. NO. **0406-14-1** REV. **C**



Rev.	Revisions	Date	Dwn.	Appd.
STOCK	FT/M PCS	QTY REQD		

PROPRIETARY
THIS DRAWING CONTAINS CONFIDENTIAL INFORMATION PROPRIETARY TO SAN-TRON INC. IT MUST NOT BE REPRODUCED OR DISCLOSED TO OTHERS OR USED IN ANY OTHER WAY, IN WHOLE OR PART EXCEPT AS AUTHORIZED IN WRITING BY SAN-TRON INCORPORATED.

REMOVE ALL BURRS AND SHARP EDGES .005 MAX
UNLESS OTHERWISE STATED ALL DIMENSIONS ARE IN INCHES AND APPLY AFTER PLATING

UNSPECIFIED TOL.	DWN	SJS	11/4/89
DEC. ± .005	CHKD	SJS	11/4/89
FRAC. ± 1/64	APPR	RCJ	11/13/89
ANG. ± 1/2°			

CONCENTRICITY .004 TIR 63/
ALL MACHINED SURFACES ✓



SAN • TRON, INC.

5 EUSTIS STREET, SAUGUS, MASS. 01906

TITLE
N.S. SPECIAL RECEPTACLE

MATERIAL
FINISH BODY - UNPLATED, CONTACT - GOLD (B)

FSCM NO. **50896** DWG NO. **0406-14-1** REV. **C**

SCALE **4X**

N25814