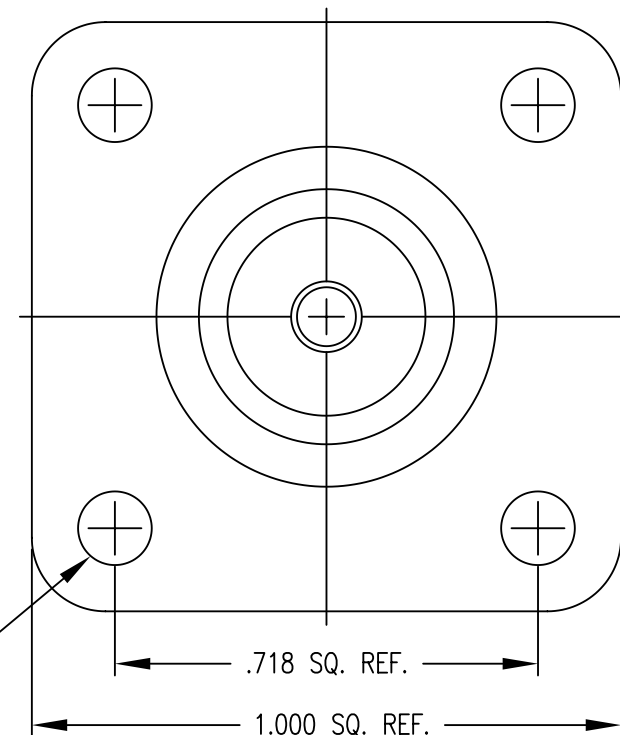
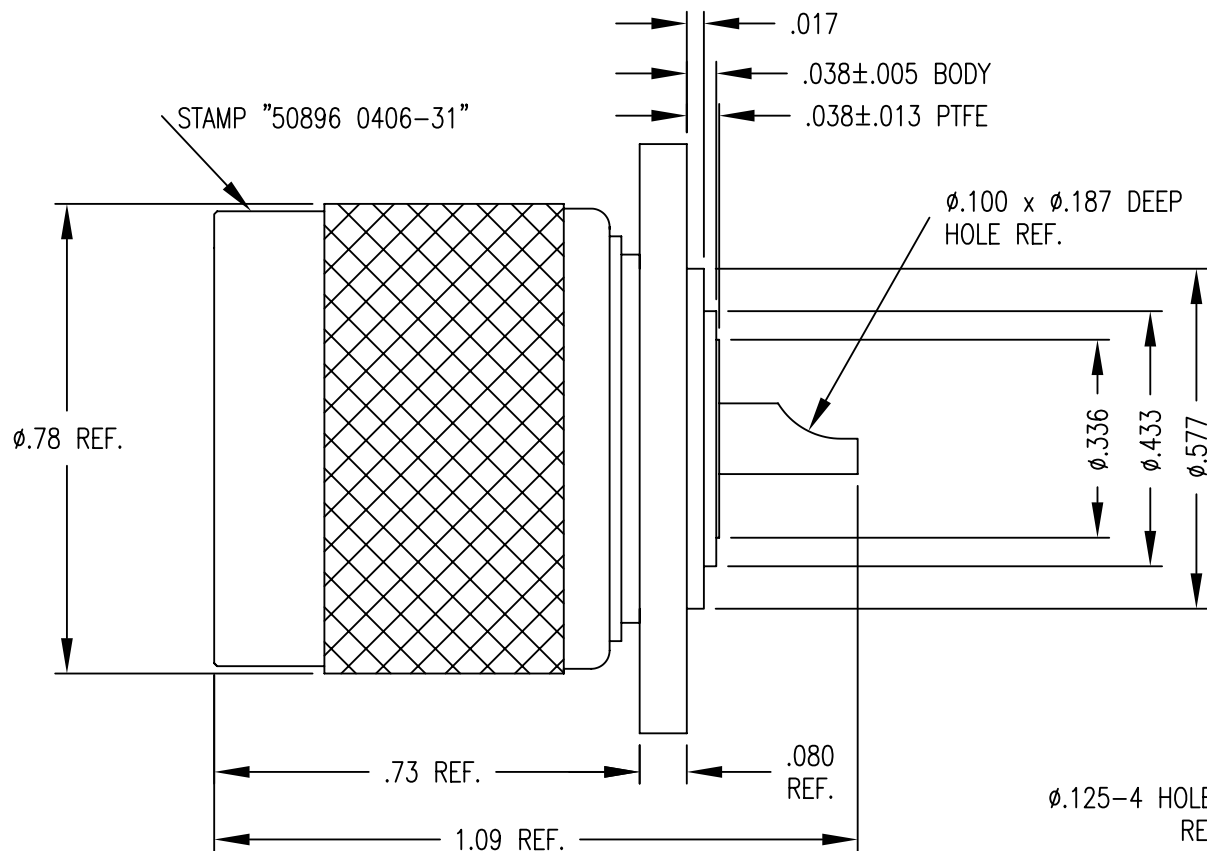


- 1.0 PERFORMANCE
- 1.1 FREQUENCY RANGE: DC-11GHz
- 1.2 VOLTAGE RATING: 1000V RMS (sea level)
- 1.3 NOMINAL IMPEDANCE: 50 OHMS
- 1.4 DWV: 2500 V RMS @ 60 Hz (sea level)
- 1.5 TEMPERATURE RANGE: -65°C TO +165°C
- 2.0 MATERIALS:
- 2.1 DIELECTRIC: PTFE, ASTM-D-1710

- 2.2 CENTER CONTACT: BRASS PER ASTM-B-16
- 2.3 LOCKING RING: PHOSPHOR BRONZE, ASTM-B-159, ALLOY 510
- 2.4 OTHER METAL PARTS: BRASS, ASTM-B-16
- 2.5 GASKET: SILICONE RUBBER, ZZ-R-765, GR. 50, RED
- 3.0 FINISHES: SEE CHART
- 4.0 MECHANICAL:
- 4.1 INTERFACES IN ACCORDANCE WITH MIL-STD-348
- 4.2 SOLDER CUP ORIENTATION BY SPECIAL ORDER ONLY.

DWG NO. OL-0406-31-1 REV. D

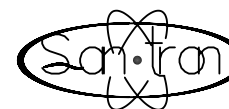
PART NO.	BODY PLATING	CONTACT PLATING
0406-31	NICKEL	SILVER
0406-31 NI/GOLD	NICKEL	GOLD
0406-31-SI	SILVER	SILVER
0406-31-SI/GOLD	SILVER	GOLD
0406-31-AG	ALBALOY	GOLD
0406-31-BW	ALBALOY/Ag	THICK GOLD



Rev.	Revisions	Date	Dwn.	Appd.
D	ADD DIMENSIONS	5/22/08	FSH	FSH
C	ADD NOTE 4.2	10/3/06	FSH	FSH
B	CORRECT PLATING CODE TABLE TYPO'S.	3/14/06	DVP	FSH
A	ORIGINAL	12/3/00		

RECOM.	STOCK SIZE	FT/M PCS	QTY REQD

PROPRIETARY
THIS DRAWING CONTAINS CONFIDENTIAL INFORMATION
PROPRIETARY TO SAN*TRON INC. IT MUST NOT BE
REPRODUCED OR DISCLOSED TO OTHERS OR USED IN
ANY OTHER WAY, IN WHOLE OR PART EXCEPT AS
AUTHORIZED IN WRITING BY SAN*TRON INCORPORATED.



SAN • TRON, INC.

4 NEWBURYPORT TPK, IPSWICH, MA 01938

REMOVE ALL BURRS AND SHARP
EDGES .005 MAX.
UNLESS OTHERWISE STATED
ALL DIMENSIONS ARE IN INCHES
AND APPLY AFTER PLATING

TITLE N MALE PANEL
RECEPTACLE STRAIGHT

UNSPECIFIED TOL.	DWN	JMB	5/16/00
DEC. ± .005	CHKD	SJS	11/27/00
FRAC. ± 1/64	APPR		
ANG. ± 1/2°			

MATERIAL: SEE NOTE 2.0 FINISH: SEE CHART

CONCENTRICITY .004 TIR
ALL MACHINED SURFACES 63/

FSCM NO.	DWG NO.	REV.
50896	OL-0406-31-1	D

SCALE X:X