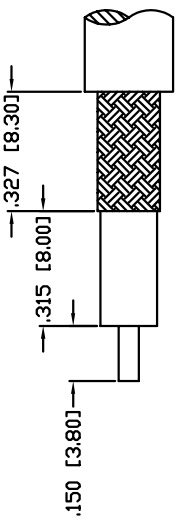
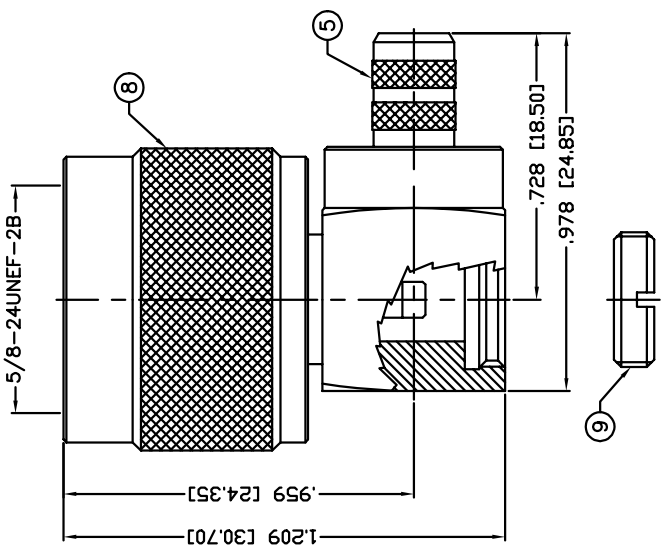


# PART NO. RFN-1009-X-04

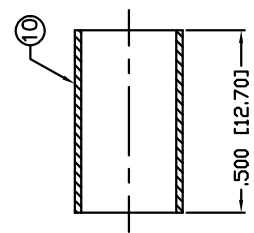
THIS DRAWING CONTAINS INFORMATION PROPRIETARY TO RF INDUSTRIES,  
 ANY UNAUTHORIZED USE OF THIS DRAWING IS EXPRESSLY PROHIBITED  
 WITHOUT WRITTEN PERMISSION FROM RF INDUSTRIES.  
 ANY VIOLATION IS PUNISHABLE UNDER U.S. COPYRIGHT LAWS.

REV	DESCRIPTION	DWN	DATE	APPROVED
-	ENGINEERING RELEASE	CZS	3/27/01	JDMc
A	CHANGE DESIGN	CZS	09/09/03	JDMc

ALL DIMENSIONS ARE REFERENCE ONLY



RECOMMENDED STRIPPING DIMENSIONS



RECOMMENDED CRIMP DIE: .255"

## SPECIFICATIONS:

IMPEDANCE: 50 Ohms  
 FREQUENCY RANGE: 0-11 GHz  
 VSWR: 1.5 Max. @ 9 GHz  
 WORKING VOLTAGE: 1k V rms @ sea level  
 TEMPERATURE RANGE: -65°C TO 85°C  
 INSULATION RESISTANCE: 5k M Ohms min.  
 FOR RG-8/X, BELDEN 9258, MAXRAD M8X-100 &  
 M8X-1000, MICRO 8/U, REMEE 1600, SAXTON 8315 &  
 TIMES LMR-240 & LMR-240 ULTRAFLEX CABLE

NOTE: ATTACH CABLE TO CONNECTOR BY  
 SOLDERING THE CABLE INNER CONDUCTOR  
 TO THE PIN SLOT INSIDE THE CONNECTOR

1	BODY	1	BRASS	NICKEL, 100μ"	008974	
2	INSULATOR	1	PTFE	---		
3	GROUND RING	1	BRASS	NICKEL, 100μ"		
4	PIN	1	BRASS	GOLD, 3μ"		
5	FERRULE STUD	1	BRASS	NICKEL, 100μ"		
6	RETAINING RING	1	SUS 304	---		
7	GASKET	1	SILICONE	---		
8	SHELL	1	BRASS	NICKEL, 100μ"		
9	SCREW CAP	1	BRASS	NICKEL, 100μ"		
10	FERRULE	1	BRASS	NICKEL, 100μ"		
11					DRAWN	
12					CHECKED	
13					ORJ DRAWN	
14					C. ZUNIGA	
#	DESCRIPTION	QTY	MATERIAL	FINISH	APPROVALS	DATE

UNLESS OTHERWISE SPECIFIED:  
 1. REMOVE ALL BURRS  
 2. BREAK ALL CORNERS & EDGES .005 R. MAX.  
 3. CHAMFER 1ST & LAST THREADS 45°  
 4. SURFACE ROUGHNESS 63 FINISH MIL-STD-10  
 5. DIAMETERS ON COMMON CENTERS TO BE CONCENTRIC WITHIN .002 T.I.R.  
 6. ALL DIMENSIONS ARE AFTER PLATING.

DIMENSIONS ARE IN INCHES AND [MILLIMETERS]  
 UNLESS OTHERWISE NOTED  
 TOLERANCES ARE:  
 DECIMALS .XXX±.003 [.08]  
 .XX±.005 [.13]  
 DIAMETER .XXX±.001 [.03]  
 .XX±.003 [.08]

**RF connectors**  
 DIVISION OF RF INDUSTRIES, LTD.  
 7610 MIRAMAR RD  
 SAN DIEGO, CA 92126  
 (858) 549-6340  
 (858) 549-6345 FAX

# N PLUG, CRIMP

RIGHT ANGLE

SIZE	CABLE GROUP	DWG NO.	REV
A	X	RFN-1009-X-04	A
SCALE:	NTS	CAD FILE	OUTLINE
			SHEET 1 OF 1