

## Coaxial Cable Connector 16\_N-50-3-27/133\_N

### Description

Right angle cable plug

Interface standards

IEC 61169-16\_MIL-STD-348A/304\_CECC 22210



### Technical Data

#### Electrical Data

Impedance	50 Ω
Interface frequency max.	11 GHz

#### Mechanical Data

Centre contact	soldered
Outer contact	crimped
Weight	0.0314 kg

#### Environmental Data

Operating temperature	-65 °C to 165 °C
2011/65/EU, RoHS	compliant

#### Material Data

Piece Parts	Material	Surface Plating
Centre contact	Brass	Gold Plating (Nickel underplated)
Outer contact	Brass	SUCOPLATE (R) Plating
Body	Brass	SUCOPLATE (R) Plating
Insulator	PFA / PTFE	
Coupling nut	Brass	SUCOPLATE (R) Plating
Gasket	VMQ (Silicone rubber)	
Crimp ferrule	Copper	SUCOPLATE (R) Plating

### Related Documents

Outline drawing	DOU-00006427
Catalogue drawing	DOU-00006429
Assembly instruction	DOC-0000179148

### Ordering Information

Bulk 100 pcs package	16_N-50-3-27/133_NH
Single package	16_N-50-3-27/133_NE

### Additional Information

Suitable cables	RG_223_/U, ENVIROFLEX_142, RADOX_RF_400, RG_400_/U, RADOX_RF_142
-----------------	--

This drawing is copyright. Information contained thereon is supplied in confidence and must not be used for any other purpose than which it was supplied, or be reproduced without written permission of the owners.

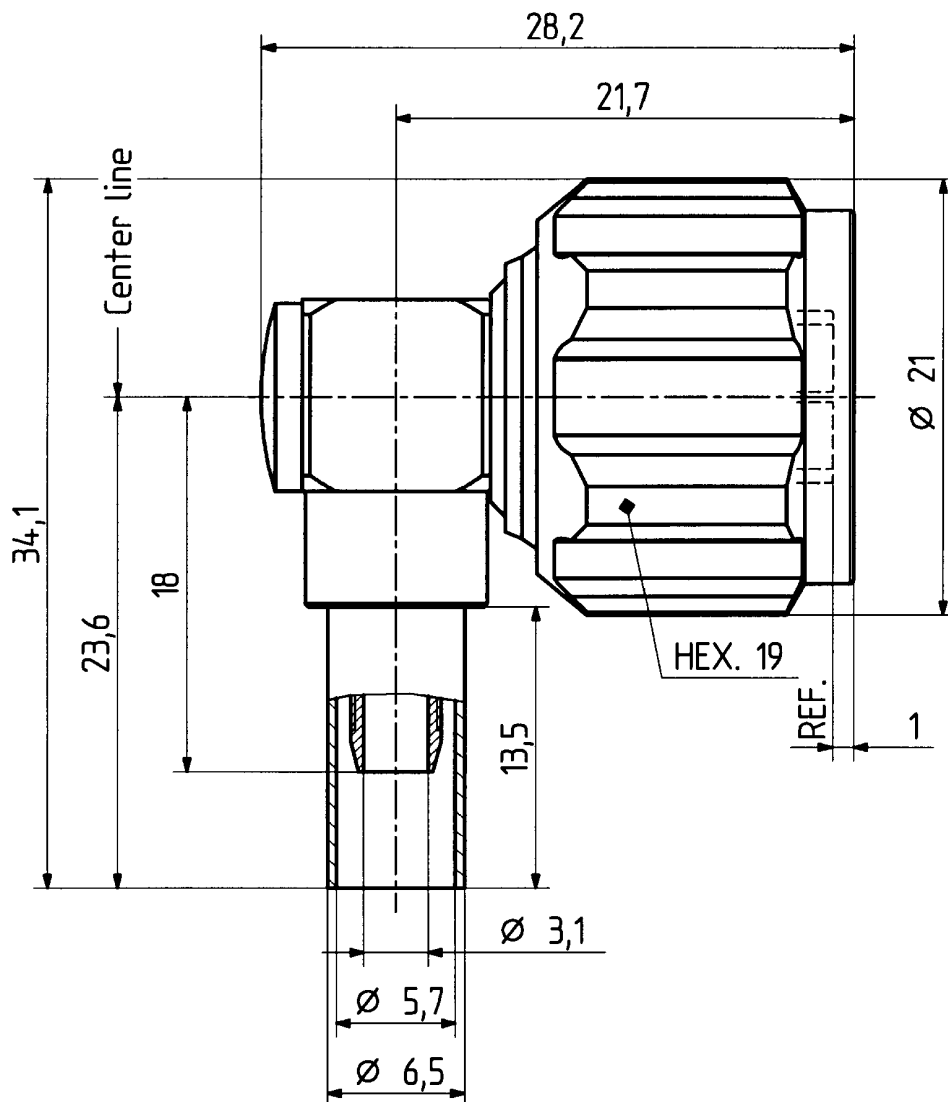
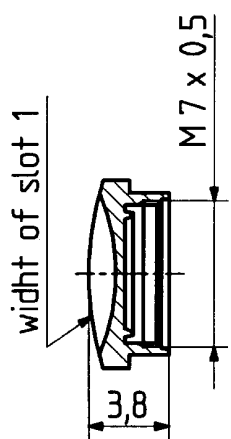
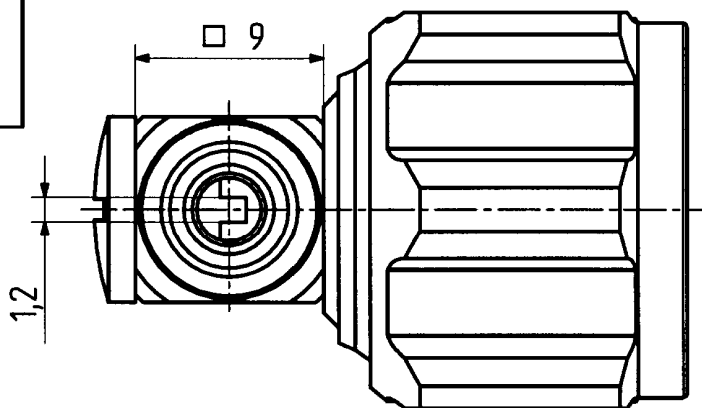
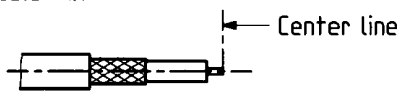
Diese Zeichnung ist unser geistiges Eigentum und darf ohne unsere ausdrückliche Einwilligung weder kopiert, vervielfältigt, noch Dritten oder Konkurrenzfirmen zugänglich gemacht werden.

type : 16 N-50-3-27

	date	sign
drawn	07.07.00	4515/CHU
checked	18.07.00	W26 Bcm
approved	18.07.00	W26 Bcm

cable shortening dimension

scale 1:1



H+S 701 4.4.8.05

scale

3:1



HUBER + SUHNER RFX

dimensions in mm

drawing number

4.13.20668

OZ drawing :

Index

d