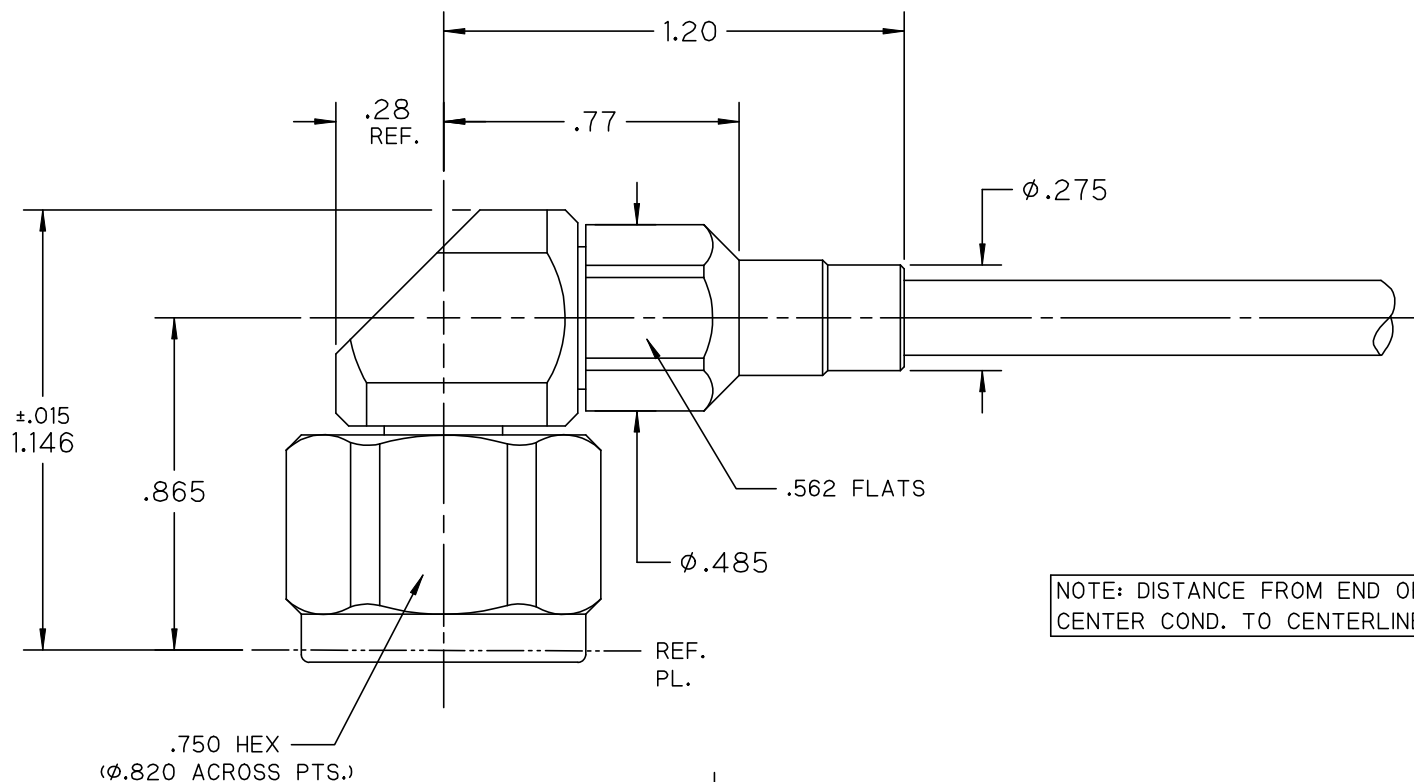


***** THIS DRAWING AND ITS CONTENTS ARE THE SOLE PROPERTY OF PRECISION CONNECTOR INC. AND ARE SUBJECT TO CHANGE WITHOUT NOTICE UNLESS OTHERWISE SPECIFIED *****

| REV. | DESCRIPTION | DATE | BY | APPVD |
|------|-----------------|----------|-----|-------|
| A | INITIAL RELEASE | 07/29/09 | MJK | MJK |



NOTE: DISTANCE FROM END OF CABLE CENTER COND. TO CENTERLINE IS .460

NOTES :

1.0 MATERIALS:

- 1.1 BODY, COUPLING & CLAMP NUTS: STEEL, CORROSION RESISTANT PER ASTM-A582, UNS NO. S30300.
- 1.2 CENTER COND.: BERYLLIUM COPPER PER ASTM-B196, UNS C17300.
- 1.3 SOLDER FERRULE: BRASS PER ASTM-B16, UNS C36000.
- 1.4 GASKET : SILICONE RUBBER PER A-A-59588.
- 1.5 INSULATOR(S): PTFE FLUOROCARBON PER ASTM-D1710.

2.0 FINISHES:

- 2.1 CENTER CONTACT & SOLDER FERRULE: GOLD PLATE PER ASTM-B488, 50 MICROINCHES MIN. THK. OVER ELECTROLYTIC NICKEL PLATE PER ASTM-B689 50 MICROINCHES MIN. THK.
- 2.2 BODY, COUPLING & CLAMP NUTS: PASSIVATE PER SAE-AMS-2700.
- 2.3 GASKET & DIELECTRICS: NONE.
- 3.0 INTERFACE: TYPE N PLUG PER PCI INTERFACE SPECIFICATION PCI-PNP-TL.



| | | | | | | |
|---------------------------------------|---------|----------------|--|---|-----------|----------------|
| TOLERANCES UNLESS OTHERWISE SPECIFIED | | DRAWN BY: MJK | | DESC.: TYPE N RA PLUG, SOLDER CLAMP FOR HARBOUR LL142 CABLE | | |
| | | DATE: 07/29/09 | | | | |
| .XX | ± .02 | CAGE CODE | | SCALE | SHEET NO. | DRAWING NUMBER |
| .XXX | ± .005 | 4MJR5 | | 2:1 | 1 OF 1 | 3375-0L |
| .XXXX | ± .0005 | | | | | |
| ANGLES | ± 2° | | | | | REV |
| | | | | | | A |