

Coaxial Cable Connector 11_N-50-3-13/113_N

Description

Straight cable plug

Interface standards

IEC 61169-16_MIL-STD-348A/304_CECC 22210



Technical Data

Electrical Data

Impedance	50 Ω
Interface frequency max.	18 GHz

Mechanical Data

Centre contact	soldered
Outer contact	soldered
Weight	0.0316 kg

Environmental Data

Operating temperature	-65 °C to 165 °C
2011/65/EU, RoHS	compliant

Material Data

Piece Parts	Material	Surface Plating
Centre contact	Brass	Gold Plating (Nickel underplated)
Outer contact	Bronze	Gold Plating (Nickel underplated)
Body	Brass	SUCOPLATE (R) Plating
Insulator	PFA / PTFE	
Coupling nut	Brass	SUCOPLATE (R) Plating
Gasket	VMQ (Silicone rubber)	

Related Documents

Outline drawing	DOU-00006588
Catalogue drawing	DOU-00006590
Assembly instruction	DOC-0000178756

Ordering Information

Single package	11_N-50-3-13/113_NE
Bulk 100 pcs package	11_N-50-3-13/113_NH

Additional Information

Suitable cables	EZ_141_TP_M17, MULTIFLEX_141
-----------------	------------------------------

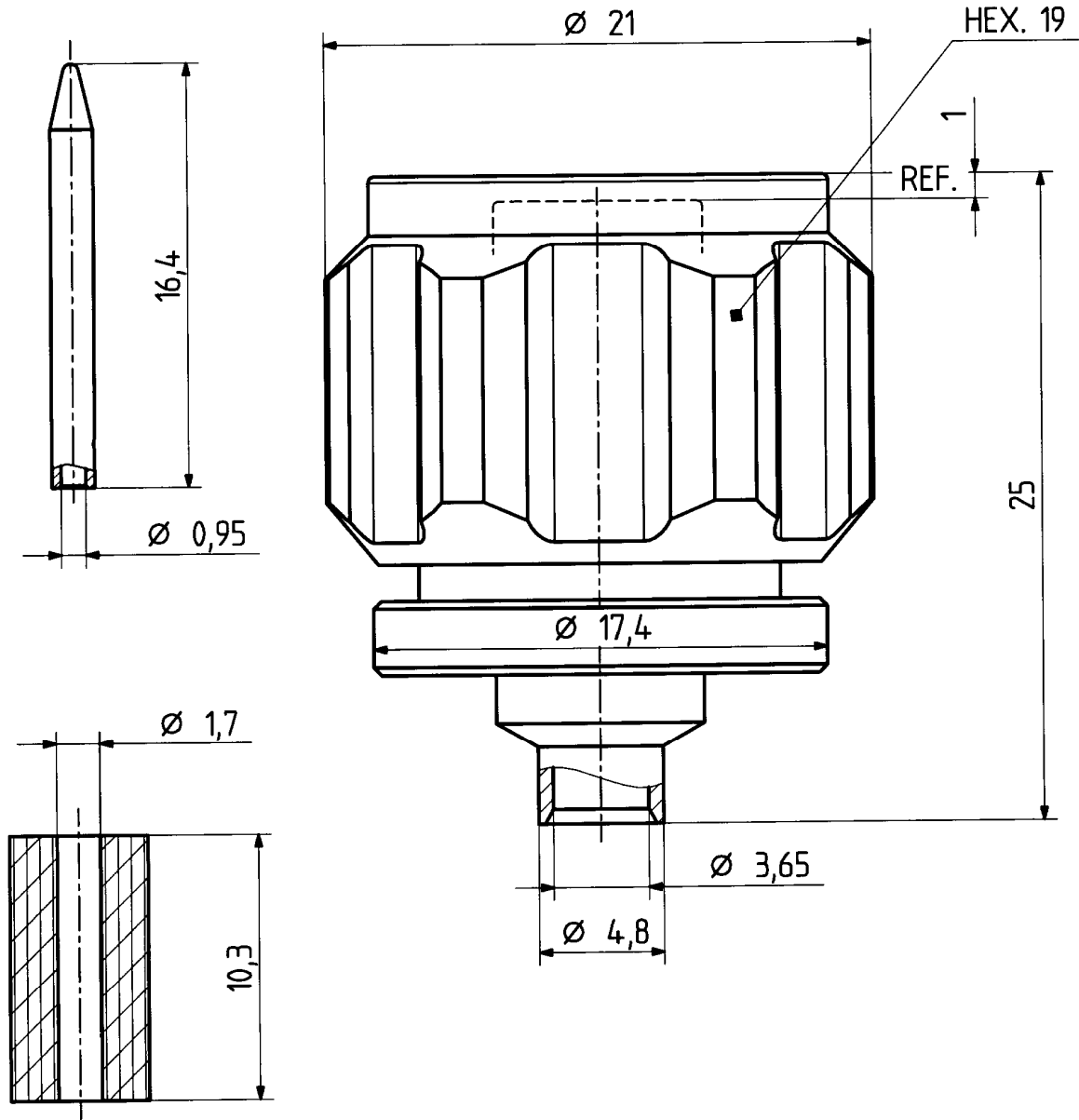
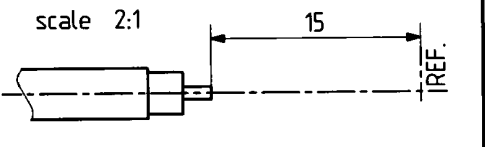
This drawing is copyright. Information contained thereon is supplied in confidence and must not be used for any other purpose than which it was supplied, or be reproduced without written permission of the owners.

Diese Zeichnung ist unser geistiges Eigentum und darf ohne unsere ausdrückliche Einwilligung weder kopiert, vervielfältigt, noch Dritten Personen oder Konkurrenzfirmen zugänglich gemacht werden.

type : 11 N-50-3-13

	date	sign
drawn	27.07.00	4515/CHU
checked	28.08.00	4776/Bern
approved	28.08.00	4776/Bern

cable shortening dimension



H+S 701 4.4.8.05

scale
4:1
☐ ⊙



HUBER + SUHNER RFX

dimensions in mm

drawing number
4.13.23723

Index
C

OZ drawing :