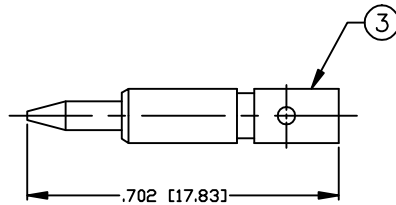
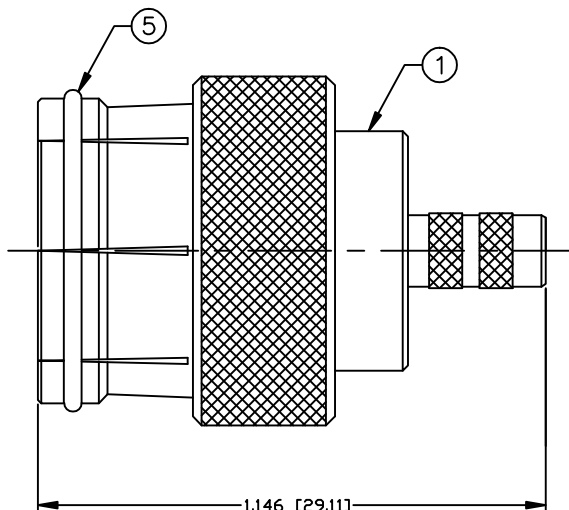


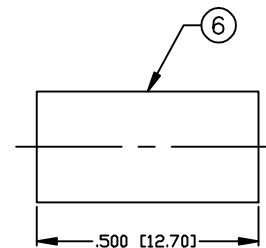
PART NO.

**RFN-1005-5**

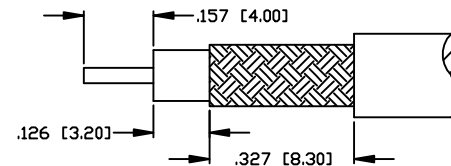
REV	DESCRIPTION	DWN	DATE	APPROVED
A	ENGINEERING RELEASE	CZS	2/23/00	JDMc
B	UPDATED DRAWING FORMAT AND SPECS	CZS	03/16/10	JDMc



RECOMMENDED CRIMP DIE: .100"



RECOMMENDED CRIMP DIE: .213"



RECOMMENDED STRIPPING DIMENSIONS

**SPECIFICATIONS:**

IMPEDANCE: 50 Ohms  
 FREQUENCY RANGE: 0-11 GHz  
 VSWR: 1.3 Max. @ 9 GHz  
 WORKING VOLTAGE: 1k V rms @ sea level  
 TEMPERATURE RANGE: -65°C TO 165°C  
 INSULATION RESISTANCE: 5k M Ohms min.  
 FOR RG-58, 58A, 58C, 141, 141A, BELDEN 8240, 9907  
 8259, 8262, 9201, 9203, 9310, 9311 & COMM/SCOPE 0268

#	DESCRIPTION	QTY	MATERIAL	FINISH
6	FERRULE	1	BRASS	SILVER, 80μ"
5	RETAINING RING	1	SWP	SILVER, 80μ"
4	GROUND RING	1	BRASS	SILVER, 80μ"
3	PIN	1	BRASS	GOLD, 3μ"
2	INSULATOR	1	PTFE	---
1	BODY	1	BRASS	SILVER, 80μ"

CUSTOMER OUTLINE DRAWING	
ALL DIMENSIONS ARE REFERENCE ONLY	
UNLESS OTHERWISE SPECIFIED: DIMENSIONS ARE IN INCHES AND [MILLIMETERS]	
DRAWN C. ZUNIGA	3/16/10
CHECKED	
ORJ DRAWN C. ZUNIGA	12/23/02

**RoHS COMPLIANT**

PROPRIETARY AND CONFIDENTIAL  
 THIS DRAWING CONTAINS INFORMATION PROPRIETARY TO RF INDUSTRIES. ANY UNAUTHORIZED USE OF THIS DRAWING IS EXPRESSLY PROHIBITED WITHOUT WRITTEN PERMISSION FROM RF INDUSTRIES. ANY VIOLATION IS PUNISHABLE UNDER U.S. COPYRIGHT LAWS.

**RFconnectors**

7610 MIRAMAR RD.  
 SAN DIEGO, CA 92126  
 (858) 549-6340  
 DIVISION OF RF INDUSTRIES, LTD. (858) 549-6345 FAX

**N PLUG, CRIMP QUICK DISCONNECT**

SIZE A	CABLE GROUP C	DWG NO. <b>RFN-1005-5</b>	REV B
SCALE: NTS	ENGINEERING ID: 008974	SHEET 1 OF 1	