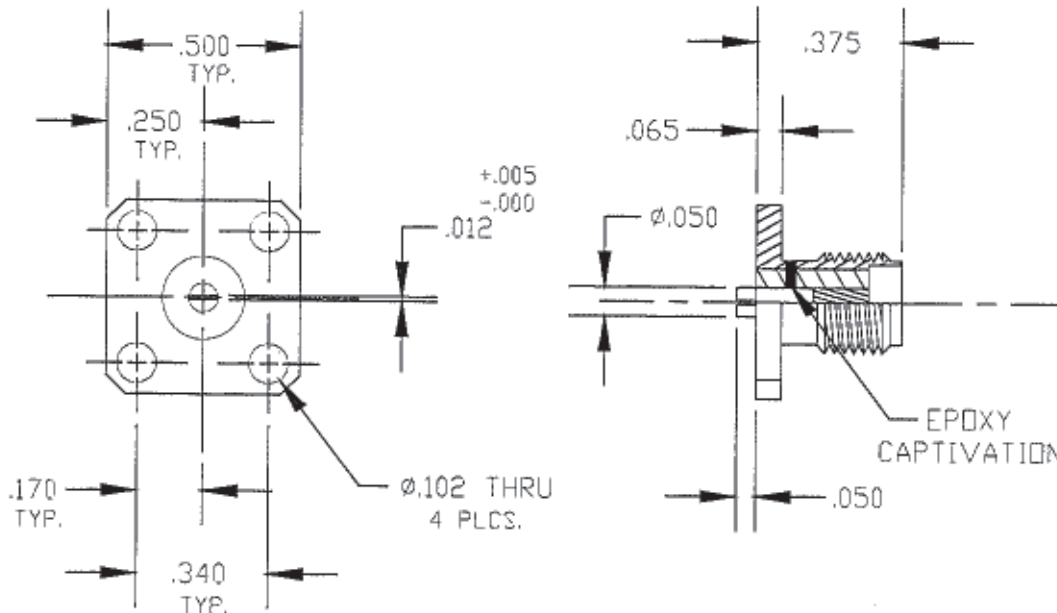


NOTES:

1. CONNECTOR SHALL MEET MATING REQUIREMENTS OF MIL-C-39012.
2. CONTACT: BeCu, GOLD PLATE PER MIL-G-45204.
3. DIELECTRIC: TEFLON PER MIL-P-19468.
4. BODY: 303 STAINLESS, PASSIVATED FINISH.
5. CENTER CONTACT CAPTURED.
6. .012 SLOT TO BE PARALLEL TO  $\phi$  OF HOLES WITHIN .005.
7. SUGGESTED SOURCE:
  - A. DELTA P/N 1343-000-K051-15
  - B. UNITED P/N 318-1CC-SF
  - C. LINK COM
  - D. M/A COMM-OMNI SPECTRA

REVISIONS			
REV	DESCRIPTION	DATE	APP.
N/C	RELEASED	8/29/86	E.V.
N/C	REDRAWN TO CAD	12/16/93	



SOURCE CONTROL DRAWING

ITEM NO.	QTY REQD	FSCM NO.	PART OR IDENTIFYING NO.	NOMENCLATURE OR DESCRIPTION	MATERIAL SPECIFICATION								
PARTS LIST													
UNLESS OTHERWISE SPECIFIED DIMENSIONS ARE IN INCHES TOLERANCES ARE: FRACTIONS DECIMALS ANGLES $\pm 1/32$ .XX $\pm$ .01 $\pm$ 0°30' .XXX $\pm$ .005			CONTRACT NO.		 CHANNEL MICROWAVE CORPORATION								
MATERIAL			APPROVALS	DATE									
SEE NOTES			DRAWN R. ROACH	8/29/86	CONNECTOR SMA FEMALE-CAPTIVATED								
FINISH			CHECKED										
NEXT ASSY	USED ON	SEE NOTES	ISSUED		<table border="1"> <tr> <td>SIZE</td> <td>FSCM NO.</td> <td>DWG. NO.</td> <td>REV.</td> </tr> <tr> <td>A</td> <td>69698</td> <td>922000</td> <td>N/C</td> </tr> </table>	SIZE	FSCM NO.	DWG. NO.	REV.	A	69698	922000	N/C
SIZE	FSCM NO.	DWG. NO.	REV.										
A	69698	922000	N/C										
APPLICATION			DO NOT SCALE DRAWING	SCALE 2/1	SHEET 1 OF 1								