

1059384-1 ✓ ACTIVE

AMP | AMP OSP Miniature Modular

TE Internal #: 1059384-1

AMP OSP Miniature Modular, RF Connectors, OSP RF Interface, Plug, 50  $\Omega$ , RG 402 Semi-Rigid, Push-On, 18 GHz Operating Frequency, 1 Position

[View on TE.com >](#)



Connectors > RF Coax Connectors > RF Connectors



RF Interface: **OSP**

RF Connector Style: **Plug**

RF Connector Mated Outer Diameter (Approximate): **7.62 mm [ .3 in ]**

Impedance: **50  $\Omega$**

Compatible With RF Cable Type: **RG 402 Semi-Rigid**

## Features

### Product Type Features

RF Interface	OSP
RF Connector Style	Plug
Compatible With RF Cable Type	RG 402 Semi-Rigid
Sealable	No
Connector & Contact Terminates To	Wire & Cable
Connector Seal Type	Interfacial Seal

### Configuration Features

Number of Positions	1
Number of Coaxial Contacts	1

### Electrical Characteristics

Impedance	50 $\Omega$
-----------	-------------

### Body Features

Cable Connector Orientation	Straight
Body Material	Stainless Steel
Body Material Finish	Plated
Body Plating Material	Gold

### Contact Features

RF Connector Center Contact Underplating Material	Copper, Nickel
---	----------------



RF Connector Center Contact Plating Material	Gold
--	------

RF Connector Center Contact Material	Beryllium Copper
--------------------------------------	------------------

### Termination Features

Termination Method to Wire & Cable	Solder
------------------------------------	--------

### Mechanical Attachment

Panel Attachment Style	Rear Mount
------------------------	------------

RF Connector Coupling Mechanism	Push-On
---------------------------------	---------

Connector Mounting Type	Panel Mount
-------------------------	-------------

RF Contact Captivation Method	Epoxy
-------------------------------	-------

### Dimensions

Panel Thickness (Recommended)	3.18 mm[.125 in]
-------------------------------	------------------

RF Connector Mated Outer Diameter (Approximate)	7.62 mm[.3 in]
---	----------------

### Usage Conditions

Operating Temperature Range	-65 – 125 °C[-85 – 257 °F]
-----------------------------	----------------------------

### Operation/Application

Operating Frequency	18 GHz
---------------------	--------

### Packaging Features

Packaging Method	Package
------------------	---------

### Other

Gasket Material	Fluorosilicone
-----------------	----------------

Number of Panel Mounting Holes	1
--------------------------------	---

Dielectric Material	PTFE
---------------------	------

### Product Compliance

[For compliance documentation, visit the product page on TE.com>](#)

EU RoHS Directive 2011/65/EU	Compliant with Exemptions
------------------------------	---------------------------

EU ELV Directive 2000/53/EC	Compliant with Exemptions
-----------------------------	---------------------------

China RoHS 2 Directive MIIT Order No 32, 2016	Restricted Materials Above Threshold
---	--------------------------------------

EU REACH Regulation (EC) No. 1907/2006	Current ECHA Candidate List: JAN 2022 (223) Candidate List Declared Against: JAN 2019 (197) SVHC > Threshold: Pb (4% in Contact/Component)
--	---



**Article Safe Usage Statements:**

Do not eat, drink or smoke when using this product. Wash thoroughly after handling. Recycle if possible and dispose of the article by following all applicable governmental regulations relevant to your geographic location.

Halogen Content

Not Yet Reviewed for halogen content

Solder Process Capability

Not applicable for solder process capability

**Product Compliance Disclaimer**

This information is provided based on reasonable inquiry of our suppliers and represents our current actual knowledge based on the information they provided. This information is subject to change. The part numbers that TE has identified as EU RoHS compliant have a maximum concentration of 0.1% by weight in homogenous materials for lead, hexavalent chromium, mercury, PBB, PBDE, DBP, BBP, DEHP, DIBP, and 0.01% for cadmium, or qualify for an exemption to these limits as defined in the Annexes of Directive 2011/65/EU (RoHS2). Finished electrical and electronic equipment products will be CE marked as required by Directive 2011/65/EU. Components may not be CE marked. Additionally, the part numbers that TE has identified as EU ELV compliant have a maximum concentration of 0.1% by weight in homogenous materials for lead, hexavalent chromium, and mercury, and 0.01% for cadmium, or qualify for an exemption to these limits as defined in the Annexes of Directive 2000/53/EC (ELV). Regarding the REACH Regulation, the information TE provides on SVHC in articles for this part number is based on the latest European Chemicals Agency (ECHA) 'Guidance on requirements for substances in articles' posted at this URL: <https://echa.europa.eu/guidance-documents/guidance-on-reach>

**Also in the Series | AMP OSP Miniature Modular**

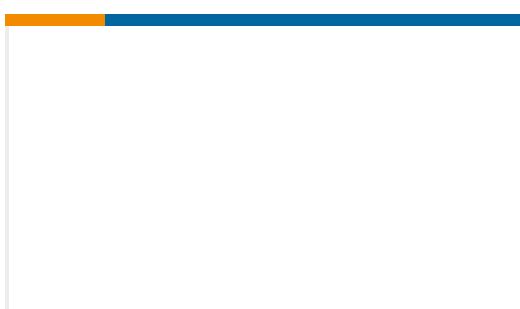


Between Series Adapters(4)

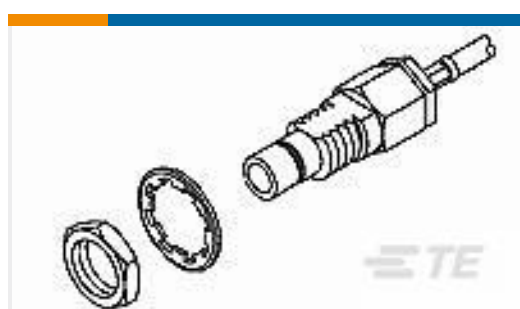


RF Connectors(22)

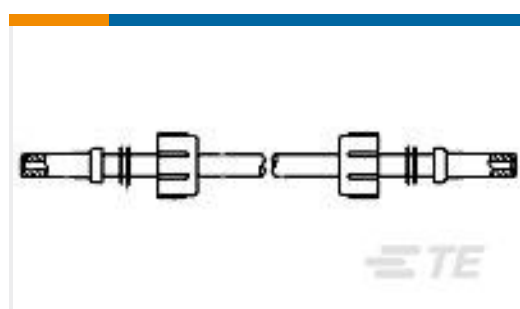
**Customers Also Bought**



TE Part #EC9881-000  
ZHD-SCE-6.4-50-S1-9



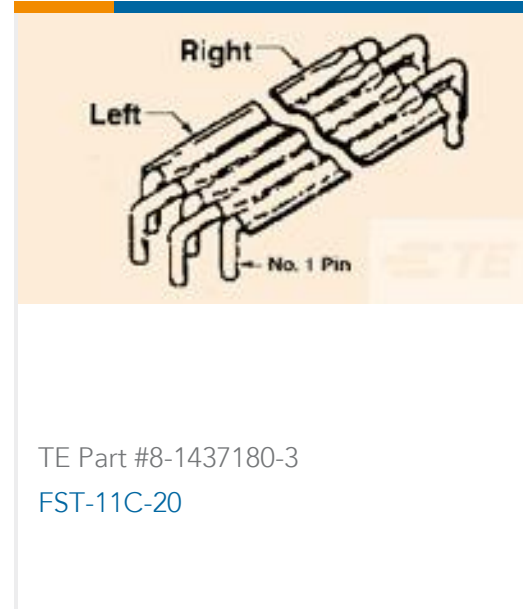
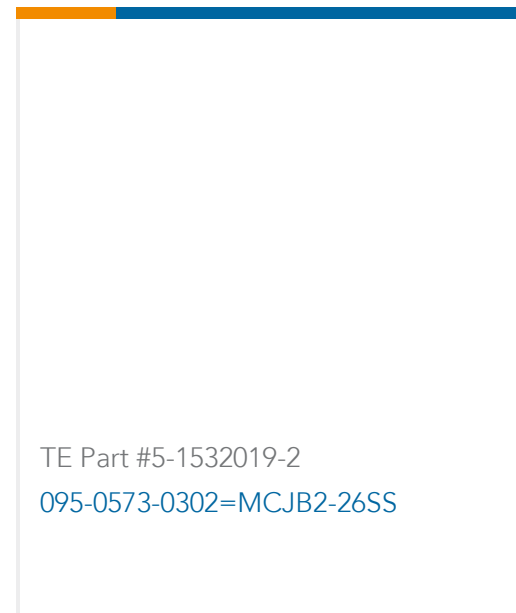
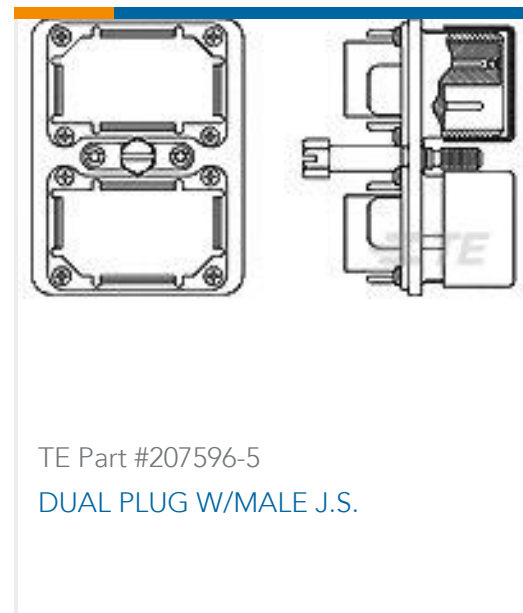
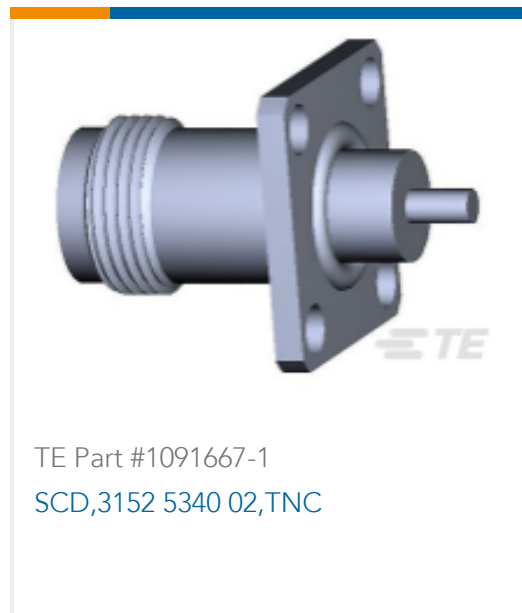
TE Part #1060329-1  
5104 5003 09



TE Part #1-830126-3  
LGH 1, DBL MLD END



TE Part #1-87527-2  
12 MODII HDR SRST UNSHRD .100



## Documents

### Product Drawings

[4503 5022 00](#)

English

### Datasheets & Catalog Pages

[Products for Aerospace and Defense](#)

English

### Instruction Sheets

[Instruction Sheet \(U.S.\)](#)

English

[OSP Bulkhead Feedthrough Cable Plug Rear Mount Direct Solder Attachment 1059386-1 and 1059384-1](#)

English