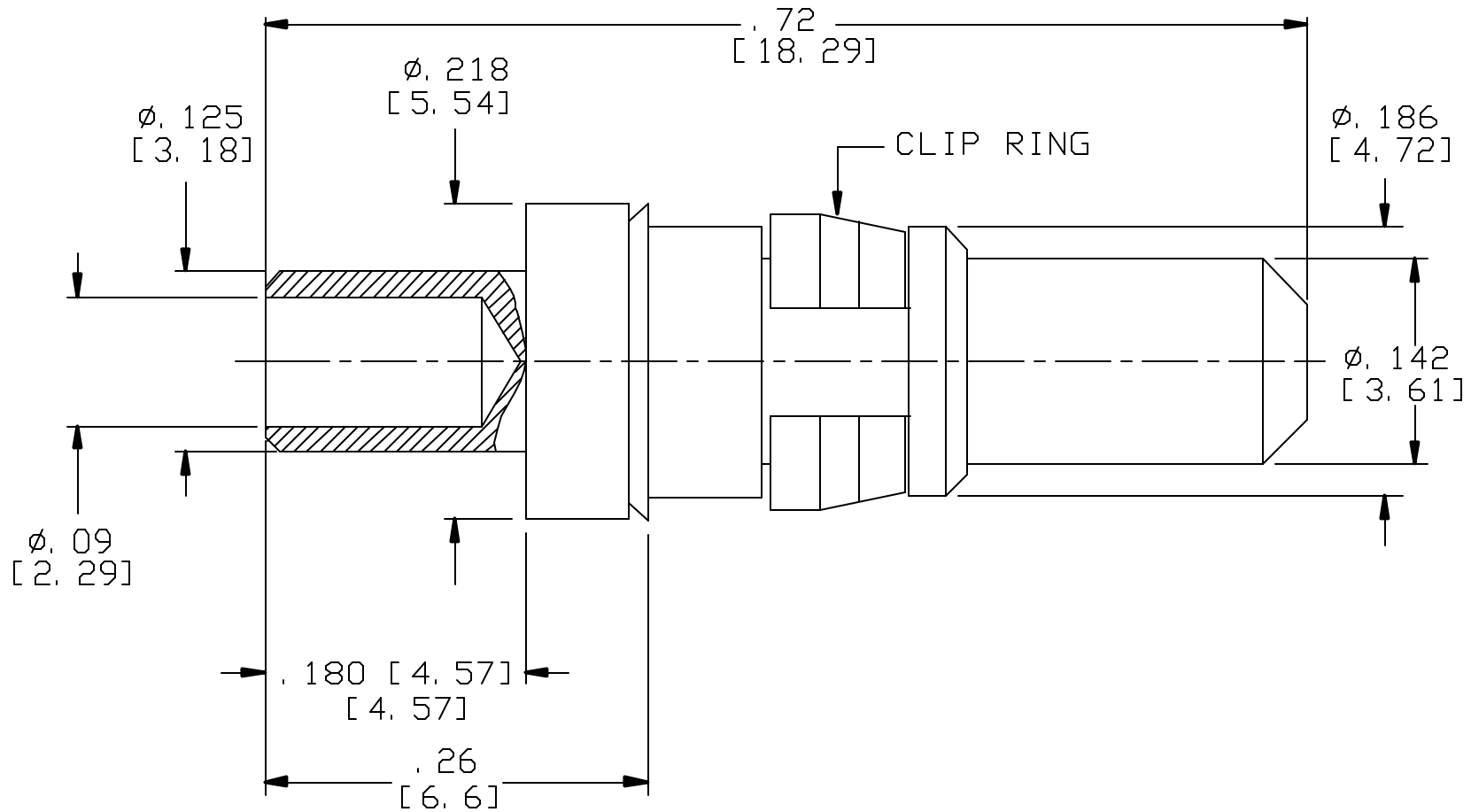


CAD DRAWING - NO MANUAL REVISIONS



NOTES:

- DESIGN AND INTERFACE PER I. D. S. -15P.
- CONTACT CURRENT RATING 40 AMPS.

				<b>PALCO CONNECTOR</b> 22 GREAT HILL RD., NAUGATUCK, CT 06770 UNLESS OTHERWISE SPECIFIED, PALCO WORKMANSHIP STANDARDS APPLY TOLERANCES ON: DECIMALS: XX ±.01 .XXX ±.005 ANGLES ±1/2° 32' DIMENSIONS IN INCHES OR (METRIC) DO NOT SCALE PRINTS	DRAWN JV	CHECKED HN	ENGINEER JV	APPROVED HN	FSCM 58167
C	PER ECN 10525	08/17/10	JEM		DESCRIPTION PDM, HIGH POWER PC MOUNT, PLUG				
B	PER ECN 5962	03/26/01	HN	DATE 09/04/92	DRAWING NO. 15-0020-0125	PLATING OPT. A, B, C, D			
A	REL TO MFG.	09/04/92	HN	CATALOG ITEM					
REV.	DESCRIPTION	DATE	APPR.						

THE INFORMATION IN THIS DOCUMENT IS CONFIDENTIAL AND PROPRIETARY AND MAY NOT BE USED FOR ANY PURPOSE WITHOUT THE WRITTEN CONSENT OF PALCO.