

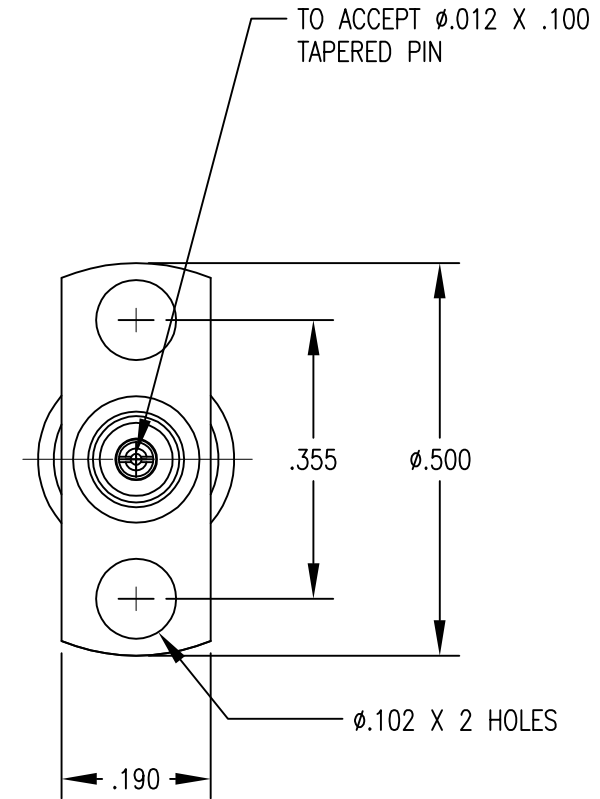
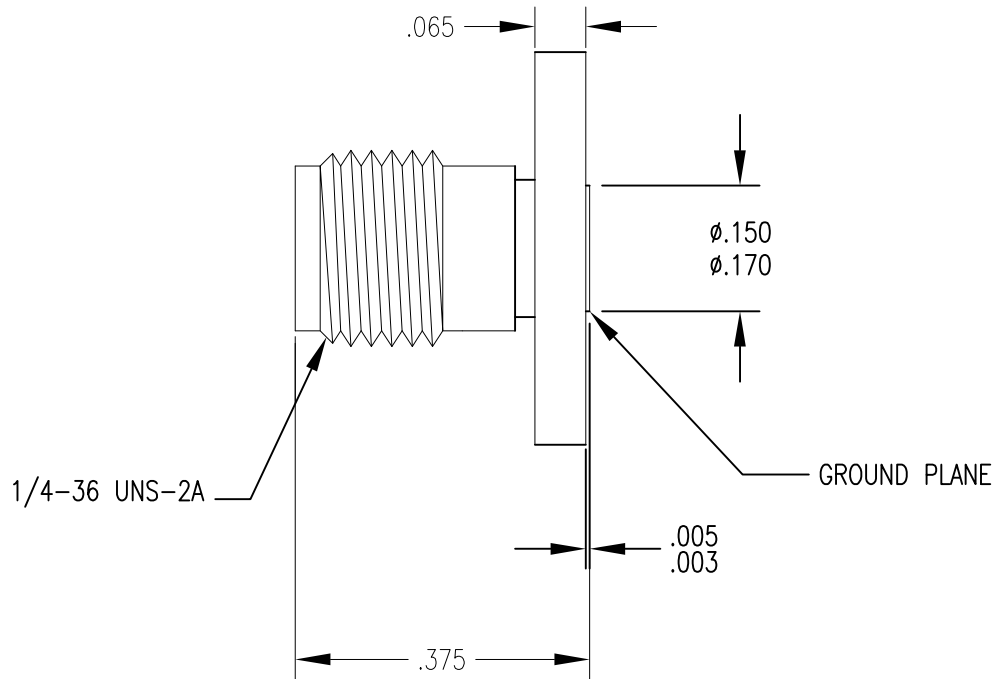
- 1.0 PERFORMANCE:  
 1.1 FREQUENCY RANGE DC-27 GHz  
 1.2 VSWR TYP < 1.20 THRU 12.4 GHz  
     < 1.35 (12.4-23 GHz)  
     < 1.65 (23-27 GHz)  
 1.3 SYSTEM IMPEDANCE 50 OHMS  
 1.4 DWV: 1000 Vrms @ 60 Hz (SEA LEVEL)  
 1.5 VOLTAGE RATING: 335 Vrms (SEA LEVEL)  
 1.6 TEMP RANGE: -65 / +165 °C

- 2.0 MATERIALS  
 2.1 SOCKET CONTACT: BeCu  
 2.2 BODY: SS 303  
 2.3 INSULATOR: PTFE  
 3.0 FINISHES - SEE TABLE

- 4.0 MECHANICAL  
 4.1 INTERFACES PER MIL-STD-348  
 4.2 SOCKET MATING CHARACTERISTICS:  
     INSERTION FORCE  $\phi$ .013 PIN: 20 OZ TYP, 30 OZ MAX  
     WITHDRAWAL FORCE  $\phi$ .011 PIN: 0.5 OZ MIN  
 4.3 CONTACT RETENTION: 4 LBS MIN  
 4.4 DURABILITY: 500 CYCLES

DWG NO.	REV.
OL-1206-160-1	A
PART NUMBER	BODY CONTACT
1206-160-PJ	PASSIVATE Au/Ni

PLATING PER STI 7.3.1-8



THIS DRAWING CONTAINS CONFIDENTIAL INFORMATION PROPRIETARY TO SAN-TRON INC. IT MUST NOT BE REPRODUCED OR DISCLOSED TO OTHERS OR USED IN ANY OTHER WAY, IN WHOLE OR PART EXCEPT AS AUTHORIZED IN WRITING BY SAN-TRON INCORPORATED.

UNLESS OTHERWISE SPECIFIED:  
 ALL DIMENSIONS ARE IN INCHES.  
 ALL DIMENSIONS ARE AFTER PLATING.  
 .XXX =  $\pm$ .005 ALL MACHINED SURFACES  $63\sqrt{\text{MAX}}$ .  
 .XX =  $\pm$ .01 ANG.  $\pm 1/2^\circ$  FRACTIONAL =  $\pm 1/64$   
 $\text{[ } \text{ } \text{ ]}$  .004 MAX. TIR.  $\text{[ } \perp \text{ ]}$  AXIS .001

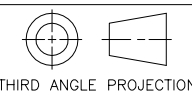
**SAN-TRON, INC.**  
 4 NEWBURYPORT TPK. IPSWICH MA USA 01938  
 TEL: 978-356-1585 FAX: 978-356-1573  
 WWW.santron.com E MAIL: santron@santron.com

TITLE SMA RECEPTACLE, STRAIGHT FEMALE, 2 HOLE FLANGE, FIELD REPLACEABLE ( $\phi$ .012 PIN)

MATERIAL: SEE NOTE 2.0 FINISH: SEE TABLE

CAGE CODE: 50896 DWG NO. OL-1206-160-1  
 SCALE X:X

Rev.	Revisions	Disp.	Date	Dwn.	Appd.
A	ADD PLATING TABLE; NO REV CHG	NEW	2/7/12	PRS	
A	ORIGINAL	NEW	2/7/12		
RECOM. STOCK SIZE	FT/M PCS	Ref.:	BRM18803	REMOVE ALL BURRS AND SHARP EDGES .005 MAX.	INTERPRET PER ASME Y14.5M-1994



DWN	PRS	2/7/12
CHKD	SJS	//
APPR	FSH	2/7/12

REV. A