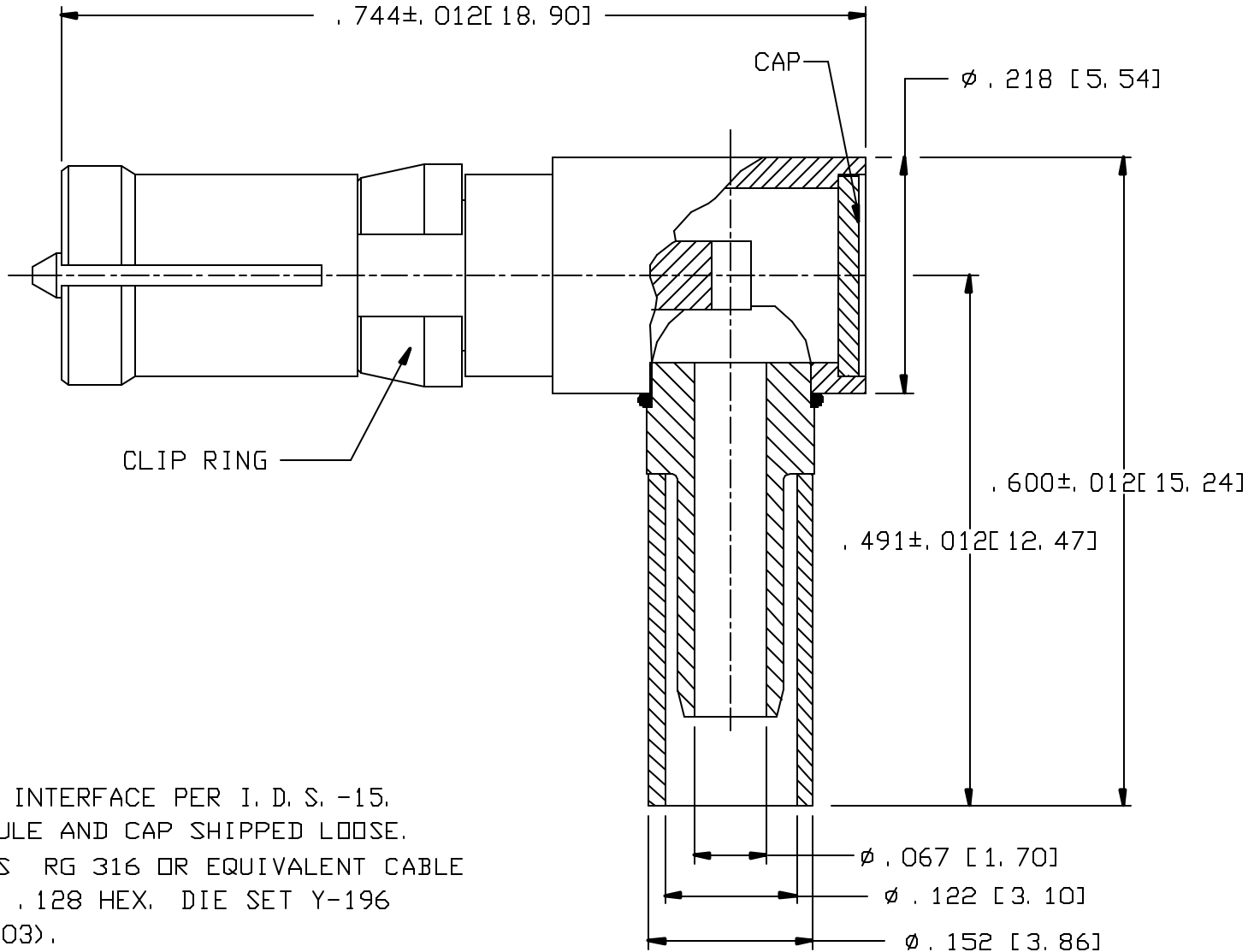


CAD DRAWING - NO MANUAL REVISIONS



NOTES:

1. DESIGN AND INTERFACE PER I. D. S. -15.
2. ITEMS FERRULE AND CAP SHIPPED LOOSE.
3. ACCOMMODATES RG 316 OR EQUIVALENT CABLE
4. CRIMP WITH .128 HEX. DIE SET Y-196 (M22520/5-03).

				<p>PALCO CONNECTOR</p> <p>22 GREAT HILL RD., NAUGATUCK, CT 06770</p> <p>UNLESS OTHERWISE SPECIFIED, PALCO WORKMANSHIP STANDARDS APPLY</p> <p>TOLERANCES ON DECIMALS: XX ± .01 .XXX ± .005 ANGLES ±1/2° 32</p> <p>DIMENSIONS IN INCHES OR (METRIC) DO NOT SCALE PRINTS</p> <p>CATALOG ITEM</p>	DRAWN RVR	CHECKED HN	ENGINEER JEM	APPROVED HN	FSCM 58167
F	PER ECN 11301	03/15/12	JEM			DESCRIPTION RECEPTACLE, PDM RIGHT ANGLE, CRIMP			
E	PER ECN 10580	08/31/10	JEM			DATE 12/30/02	DRAWING NO. 15-1580-0670	PLATING CODES A, B, C, D	
D	PER ECN 9169	11/30/07	JM						
C	PER ECN 6838	12/30/02	HN						
REV.	DESCRIPTION	DATE	APPR.						

THE INFORMATION IN THIS DOCUMENT IS CONFIDENTIAL AND PROPRIETARY AND MAY NOT BE USED FOR ANY PURPOSE WITHOUT THE WRITTEN CONSENT OF PALCO.