

- 1.0 PERFORMANCE:
 1.1 FREQUENCY RANGE DC-27 GHz
 1.2 VSWR TYP < 1.25 THRU 31 GHz
 MOUNTED TO GLASS BEAD
 1.3 SYSTEM IMPEDANCE 50 OHMS
 1.4 DWV: 1000 Vrms @ 60 Hz (SEA LEVEL)
 1.5 VOLTAGE RATING: 335 Vrms (SEA LEVEL)
 1.6 TEMP RANGE: -65 / +165 °C

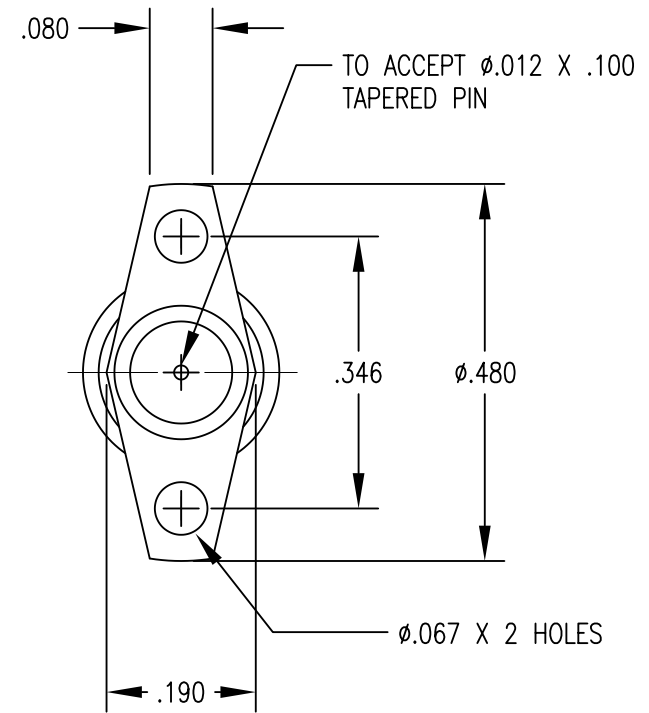
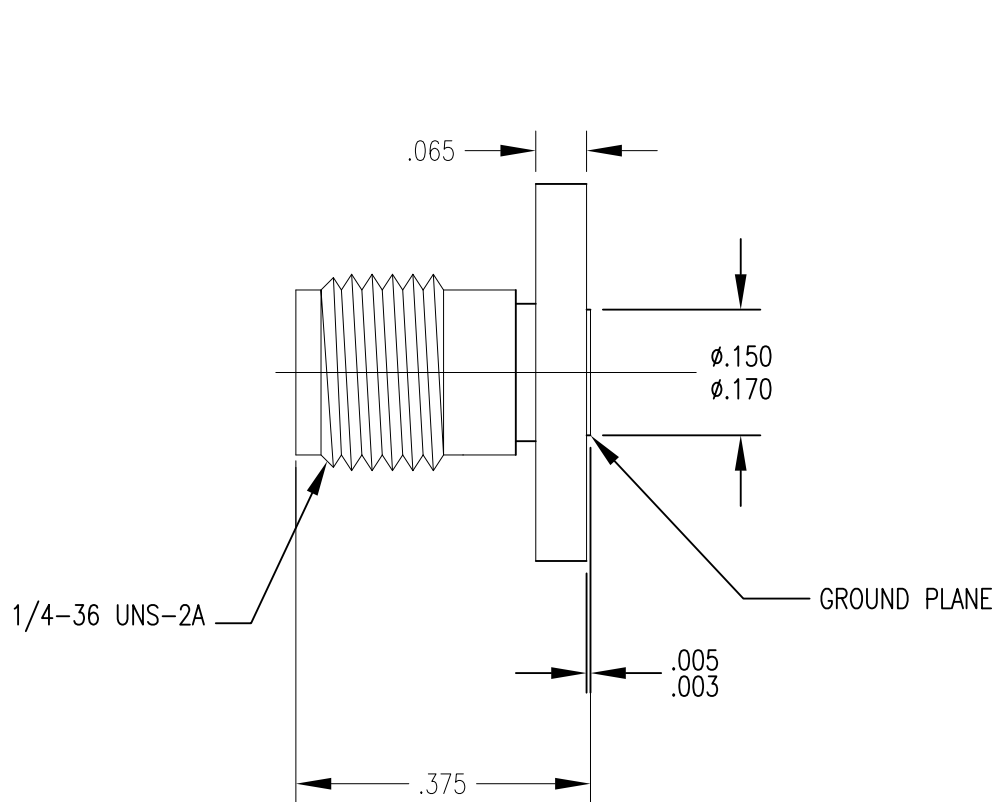
- 2.0 MATERIALS
 2.1 SOCKET CONTACT: BeCu
 2.2 BODY: SS 303
 2.3 INSULATOR: PTFE
 3.0 FINISHES: SEE TABLE

- 4.0 MECHANICAL
 4.1 INTERFACES PER MIL-STD-348
 4.2 SOCKET MATING CHARACTERISTICS:
 INSERTION FORCE: $\phi.013$, 20 OZ TYP, 30 OZ MAX
 WITHDRAWAL FORCE: $\phi.011$, 0.5 OZ MIN
 4.3 CONTACT RETENTION: 4 LBS MIN
 4.4 DURABILITY: 500 CYCLES

DWG NO. OL-1206-60-1		REV. E
PART NUMBER 1206-60-PJ	BODY PASSIVATE	CONTACT GOLD/Ni

PLATE PER STI 7.3.1-8

DO NOT SCALE DRAWING



Rev.	Revisions	Disp.	Date	Dwn.	Appd.
E	UPDATE PERFORMANCE PER TEST RESULTS BOM UPDATED 2-26-2007	FIFO	12/28/07	FSH	FSH
D	UPDATE PERFORMANCE PER TEST RESULTS	FIFO	9/7/05	WJ	FSH
C	CHD. NOTES 1.1, 1.2, 1.5 & 4.2	RWK	4/4/05	RF	FSH
B	VSWR WAS 1.15 / INSERTION FORCE WAS 20 OZ MAX	RWK	11/11/04	FSH	FSH
A	ORIGINAL	NEW	9/7/04		
RECOM.	STOCK SIZE	FT/M	PCS	Ref.:	SK
REMOVE ALL BURRS AND SHARP EDGES .005 MAX.		INTERPRET PER ASME Y14.5M-1994			

THIS DRAWING CONTAINS CONFIDENTIAL INFORMATION PROPRIETARY TO SAN-TRON INC. IT MUST NOT BE REPRODUCED OR DISCLOSED TO OTHERS OR USED IN ANY OTHER WAY, IN WHOLE OR PART EXCEPT AS AUTHORIZED IN WRITING BY SAN-TRON INCORPORATED.

UNLESS OTHERWISE SPECIFIED:
 ALL DIMENSIONS ARE IN INCHES.
 ALL DIMENSIONS ARE AFTER PLATING.
 .XXX= $\pm.005$ ALL MACHINED SURFACES $\sqrt[63]{}$ MAX.
 .XX= $\pm.01$ ANG. $\pm 1/2^\circ$ FRACTIONAL= $\pm 1/64$
 [0.004 MAX. TIR.] [L AXIS .001]

THIRD ANGLE PROJECTION

DWN	DT	9/7/04
CHKD	LAP	
APPR	FSH	9/8/04

SAN-TRON, INC.
 4 NEWBURYPORT TPK. IPSWICH MA USA 01938
 TEL: 978 - 356 -1585 FAX: 978 - 356 -1573
 WWW. santron.com E MAIL: santron@santron.com

TITLE SMA RECEPTACLE, STRAIGHT FEMALE, 2 HOLE FLANGE, FIELD REPLACEABLE ($\phi.012$ PIN)

MATERIAL: SEE NOTE 2.0 FINISH: SEE NOTE 3.0

CAGE CODE: 50896 DWG NO. OL-1206-60-1

SCALE X:X