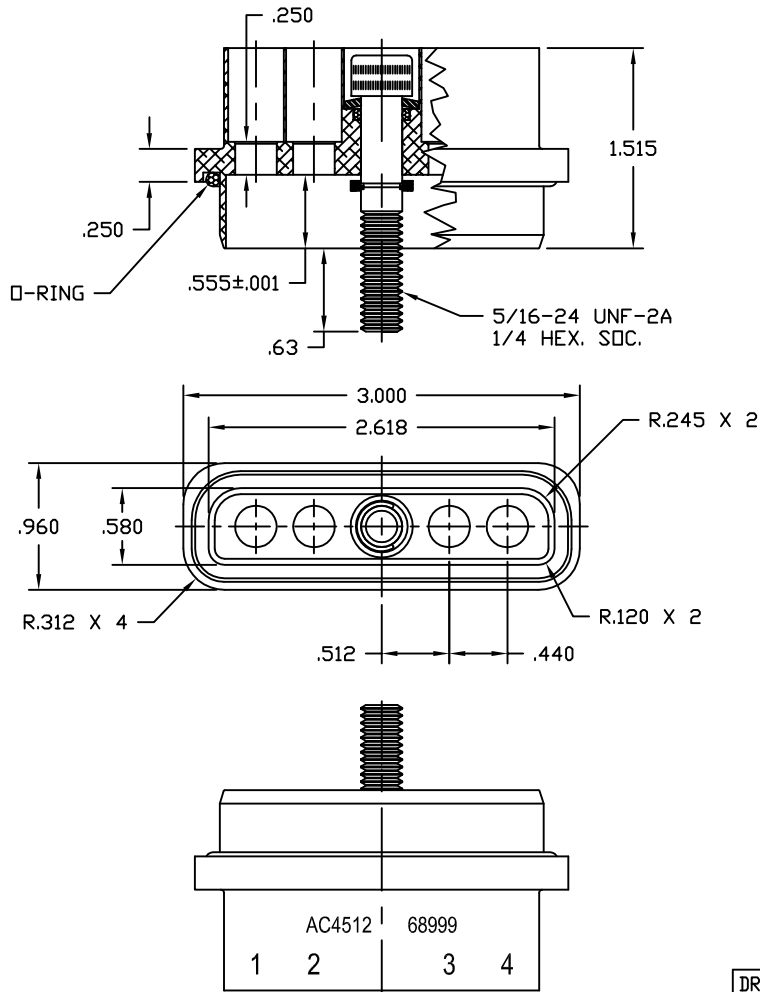


NOTICE OF PROPRIETARY RIGHTS

THIS DOCUMENT CONTAINS CONFIDENTIAL TECHNICAL DATA, INCLUDING TRADE SECRETS, PROPRIETARY TO TIMES MICROWAVE SYSTEMS. DISCLOSURE OF THIS DATA IS EXPRESSLY CONDITIONED UPON YOUR ASSENT THAT ITS USE IS LIMITED TO USE WITHIN YOUR COMPANY ONLY. ANY OTHER USE IS STRICTLY PROHIBITED WITHOUT THE PRIOR WRITTEN CONSENT OF TIMES MICROWAVE SYSTEMS.

AC4512

SYM	REVISION DESCRIPTION	DFTM	DATE	APPD	DATE
A	RELEASED FOR PRODUCTION	<i>K.A.M.</i>	5/29/07	<i>J.D.B.</i>	6/8/07
B	CHANGED PER CDC #40823	<i>D.J.H.</i>	9/22/14	<i>J.D.B.</i>	9/22/14
C	CHANGED PER CDC #43369	<i>D.J.H.</i>	11/10/15	<i>J.D.B.</i>	11/17/15



NOTES:

1. O-RING P/N MIL-R-25988/1-133
2. MOUNTING BOLT TO BE TORQUED TO 50-100 IN-LBs.

DRAFTSMAN	<i>Keith A. Miska</i>	5/29/07
CHECKER	<i>John D. Bloomfield</i>	6/8/07
APPROVED	<i>John D. Bloomfield</i>	6/8/07

UNLESS OTHERWISE SPECIFIED
 ALL DIMENSIONS ARE IN INCHES
 MACHINED SURFACES FINISH N/A RMS MAX.
 REMOVE ALL BURRS .005 MAX. BREAK
 MACHINE CORNERS .005 MAX. FILLET R.
 TOLERANCES ON DECIMALS
 .XX ± .03 .XXX ± .005
 ANGLES ± 1° FRACTIONS ± 1/32
 DO NOT SCALE DRAWING

TIMES MICROWAVE SYSTEMS		
TITLE: PLUG, RECTANGULAR FOR 4 TMS M8 COAXIAL CONTACTS (INLINE .440 SPACING)		
DWG. SIZE	B	DRWG. NO. AC4512
CODE IDENT. 68999	SCALE: NONE	SHEET: 1 of 1

012634
 W.O. NUMBER

MATERIAL:
 ALUMINUM ALLOY, 6061-T6511
 PER QQ-A-200/8 OR QQ-A-225/8

FINISH:
 CHEMICAL TREATMENT IN ACCORDANCE WITH
 MIL-DTL-5541, CLASS 1A, TYPE I.