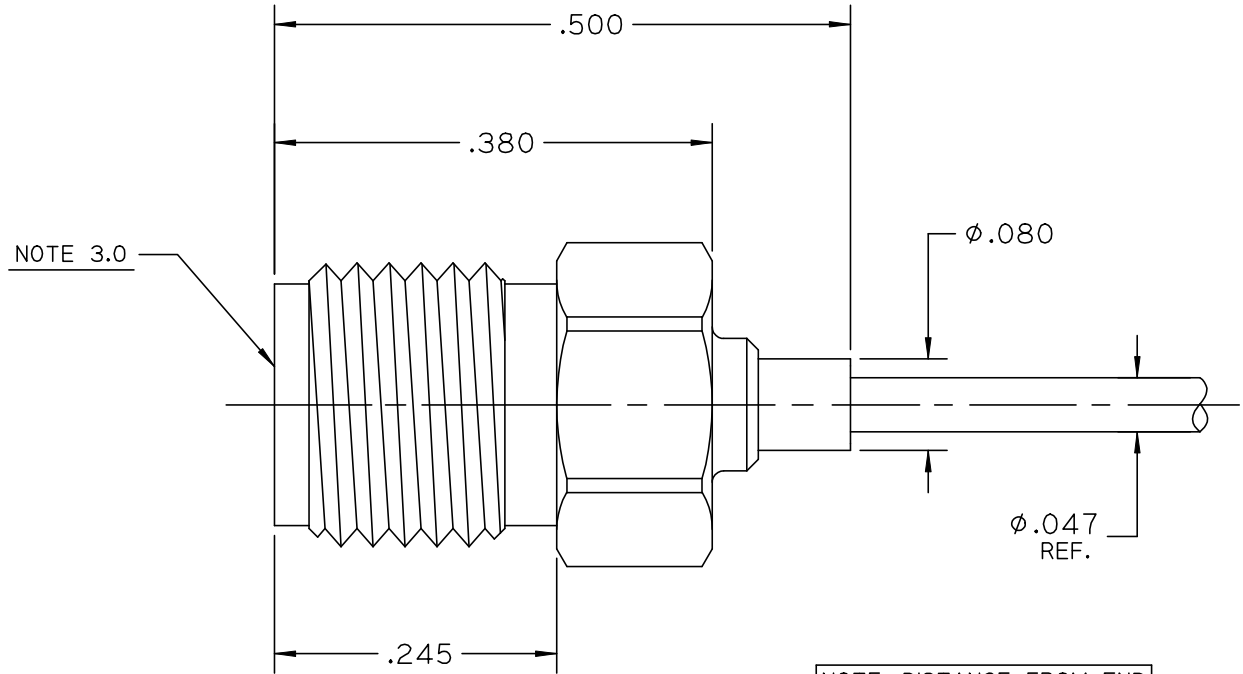
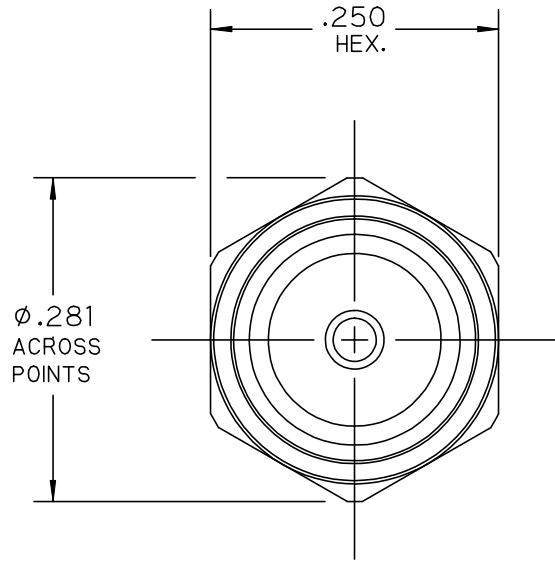


***** THIS DRAWING AND ITS CONTENTS ARE THE SOLE PROPERTY OF PRECISION CONNECTOR INC. AND ARE SUBJECT TO CHANGE WITHOUT NOTICE UNLESS OTHERWISE SPECIFIED *****

REV.	DESCRIPTION	DATE	BY	APPVD
A	INITIAL RELEASE	03/28/12	MJK	MJK



NOTE: DISTANCE FROM END OF CABLE CENTER COND. TO REF. PL. IS .279 (REF.)

NOTES :

1.0 MATERIALS:

- 1.1 BODY & CENTER CONTACT: BERYLLIUM COPPER PER ASTM-B196. UNS C17300.
- 1.2 INSULATORS: PTFE FLUOROCARBON PER ASTM-D1710.

2.0 FINISHES:

- 2.1 BODY & CENTER CONTACT: GOLD PLATE PER ASTM-B488. 50 MICROINCHES MIN. THK. OVER ELECTROLYTIC NICKEL PLATE PER ASTM-B689. 50 MICROINCHES MIN. THK.

2.2 DIELECTRICS: NONE.

3.0 INTERFACE : SMA JACK PER PCI-SMAJ.



TOLERANCES UNLESS OTHERWISE SPECIFIED	DRAWN BY: MJK	PART DESC.: SMA JACK, DIRECT SOLDER FOR .047 SEMI-RIGID CABLE			
	DATE: 03/28/12	CAGE CODE	SCALE	SHEET NO.	DRAWING NUMBER
.XX ± .02	4MJR5	6:1	1 OF 1	3779-0L	REV
.XXX ± .005					A
.XXXX ± .0005					
ANGLES ± 2°					