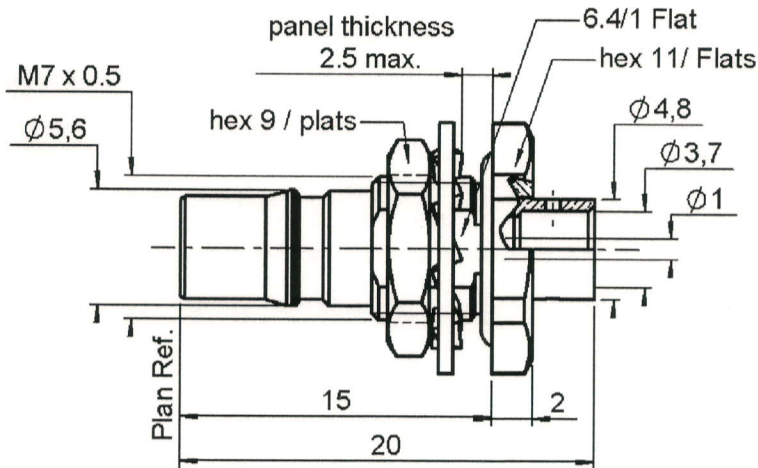


**STRAIGHT BULKHEAD JACK SOLDER TYPE**

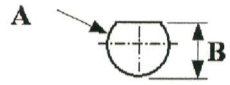
**R123.305.023**

**PANEL SEALED CABLE .141**

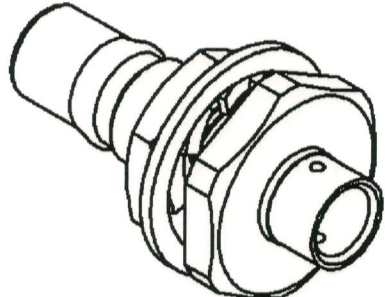
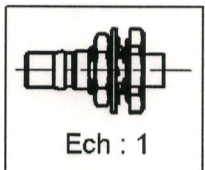
Series : QMA



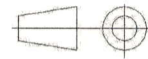
**PANEL CUT OUT**



mm		
	Maxi	mini
A	7.3	7.2
B	6.65	6.5



All dimensions are in mm.



COMPONENTS	MATERIALS	PLATINGS ( $\mu\text{m}$ )
BODY	BRASS	GOLD 0.8 OVER COPPER 0.5
CENTER CONTACT	BERYLLIUM COPPER	GOLD 1.3 OVER COPPER 2.5
OUTER CONTACT	-	-
INSULATOR	PTFE	-
GASKET	SILICONE RUBBER	-
OTHERS PARTS	-	-
-	-	-
-	-	-

Issue : 0923 B

In the effort to improve our products, we reserve the right to make changes judged to be necessary.

