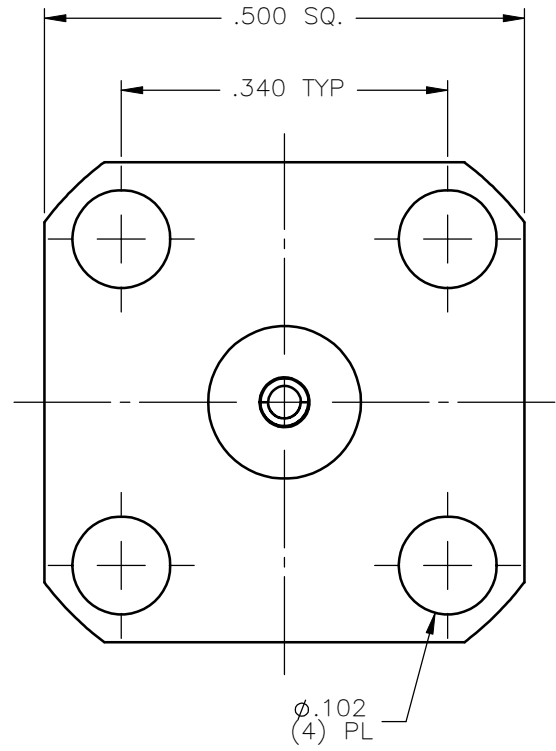
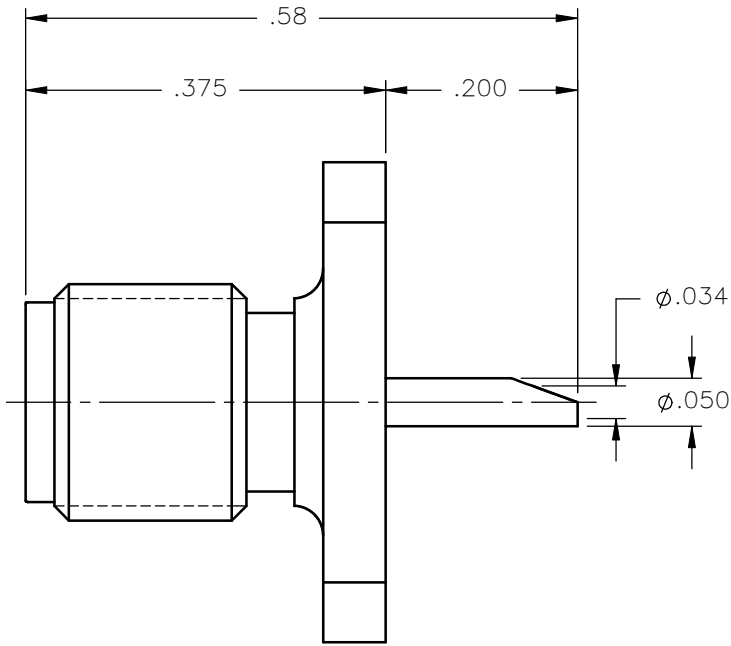


REVISIONS			
REV.	DESCRIPTION	DATE	APPROVED
A	ECN #7768	11/11/09	A.D.M.



NOTES: CONFORMS TO MIL-C-39012/60-3001


MATERIALS:

1. BODY = STAINLESS STEEL PER ASTM A582, ALLOY 303, CONDITION "A".
2. INSULATOR = VIRGIN WHITE TEFLON PER ASTM D1710, GRADE 1, TYPE I, CLASS "B".
3. CONTACT = BERYLLIUM COPPER PER ASTM B196, ALLOY C17300, TEMPER TD04.

FINISHES:

1. BODY = PASSIVATE PER QQ-P-35, TYPE VI.
2. CONTACT = GOLD PLATE PER MIL-G-45204, TYPE II, CLASS 1, GRADE C, OVER .00010 TO .00020 STRESS FREE SULFAMATE NICKEL PER QQ-N-290.

Property of Radiall Incorporated  
 This document cannot be reproduced or  
 communicated to a third party without prior  
 written permission of RADIALL Incorporated.

UNLESS OTHERWISE SPECIFIED DIMENSIONS ARE IN INCHES TOLERANCES ON	DWN: A.D.M.	DATE: 11/11/09	 <b>APPLIED ENGINEERING PRODUCTS</b> 104 John W. Murphy Dr. New Haven, CT 06513 <b>a RADIALL company</b>			
	CHKD: D.N.	DATE: 11/11/09				
DECIMAL	ANGLE	APVD: J.M.	<b>SMA STRAIGHT JACK          4 HOLE FLANGE MOUNT          SOLDER POT CONTACT</b>			
		DATE: 11/11/09				
REFERENCE:	MATERIALS & FINISHES:		SIZE: A	FSCM NO.: 19505	DWG NO.: 9404-9113-999	REV: A
ORIGINATED: D.N. DATE: 01/23/95	SEE NOTES		SCALE: 5:1	THIRD ANGLE PROJECTION		SHEET 1 OF 1

9404-9113-999