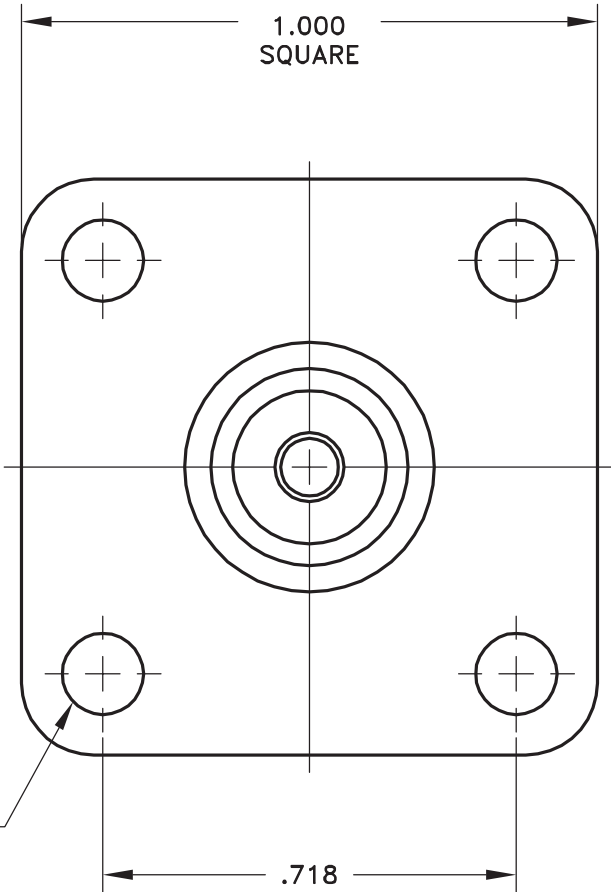
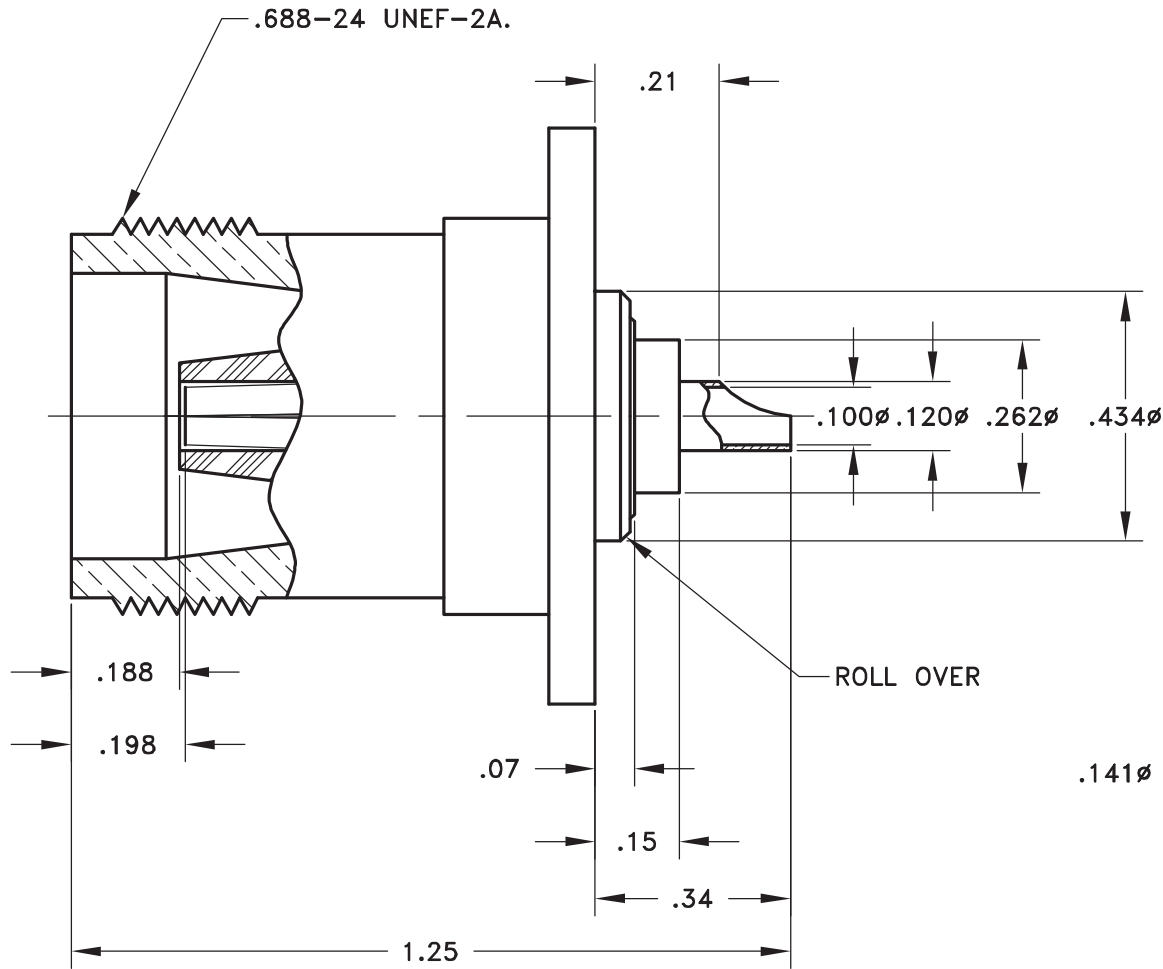


THIS DOCUMENT CONTAINS PROPRIETARY INFORMATION
& MAY NOT BE REPRODUCED OR DISCLOSED TO OTHERS
WITHOUT WRITTEN CONSENT FROM CONNECTRONICS, INC.



REVISIONS
REV LEVEL
-C-

OUTLINE DRAWING

CONNECTRONICS, INC. EDINBURGH, INDIANA		FSCM 43608
DWG BY: RLC	DATE: 10/13/08	TOLERANCES UNLESS OTHERWISE SPECIFIED
APVD BY:	SCALE:	2 PL DEC ±.020
MATERIAL:		3 PL DEC ±.005
FINISH:		ANG. DIM ±1/2°
DESCRIPTION: SC		DRAWING NO.
JACK, FLANGE MOUNT		58-401-1
		SHT 1 OF 2

MATERIALS & FINISHES

SPECIFICATIONS

BODY

- BRASS, COMP. 22, 1/2 HD PER QQ-B-626
- 303 STAINLESS STEEL PER QQ-S-764
- BERYLLIUM COPPER PER QQ-C-530

PLATING

- NICKEL
- SILVER
- GOLD
- PASSIVATE

INSULATOR

- TEFLON PER L-P-403
- BLACK NORYLL
- REXOLITE
- DELRIN
- NYLON

CONTACT

- BRASS, COMP. 22, 1/2 HD PER QQ-B-626
- BERYLLIUM COPPER PER QQ-C-530

PLATING

- NICKEL
- SILVER
- GOLD
- TRI-M3

IMPEDANCE

- 50 OHMS
- 75 OHMS
- NON-CONSTANT

FREQUENCY RANGE: 0 TO 11 GHz

VOLTAGE RATING: 1000V RMS

DIELECTRIC WITHSTANDING VOLTAGE:
3000 VOLTS RMS

INSULATION RESISTANCE:
5000 MEGOHMS MIN.

TEMP. RANGE: -65°C TO +165°C

MISCELLANEOUS

REVISIONS

REV LEVEL



FSCM 43608

TOLERANCES
UNLESS OTHERWISE SPECIFIED

DWG BY: RLC DATE: 10/13/08

APVD BY: SCALE: _____

MATERIAL: _____

FINISH: _____

DESCRIPTION: SC

JACK, FLANGE MOUNT

2 PL DEC ±.020

3 PL DEC ±.005

ANG. DIM ±1/2°

DRAWING NO.

58-401-1

SHT 2 OF 2