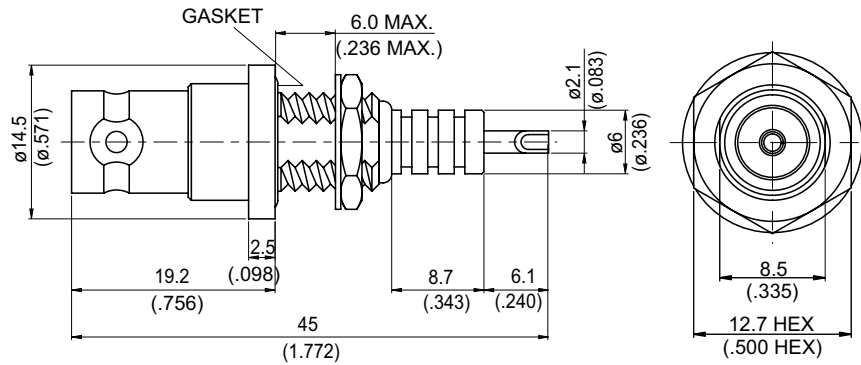


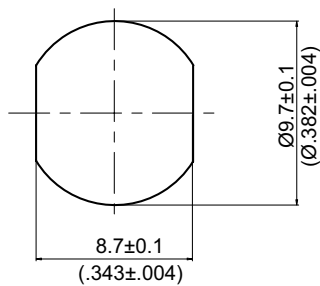
SHV8500-0000

SHV Jack For Bulkhead

50Ω



MOUNTING HOLE :



Parts	Material	Plating(Micro-inch)
Hex Nut	Brass	Tin-Zinc-Copper-Alloy 100 Over Copper 50
Lock Washer	Brass	Tin-Zinc-Copper-Alloy 100 Over Copper 50
Gasket	Silicone	
Contact Pin	Brass	Gold 5 Over Nickel 50 Over Copper 50
Insulator	Teflon	
Body	Brass	Tin-Zinc-Copper-Alloy 100 Over Copper 50

Weight: 11.56 g

This part number complies with RoHS.

Notice: JYEBAO reserves the right to make modification deemed appropriate.