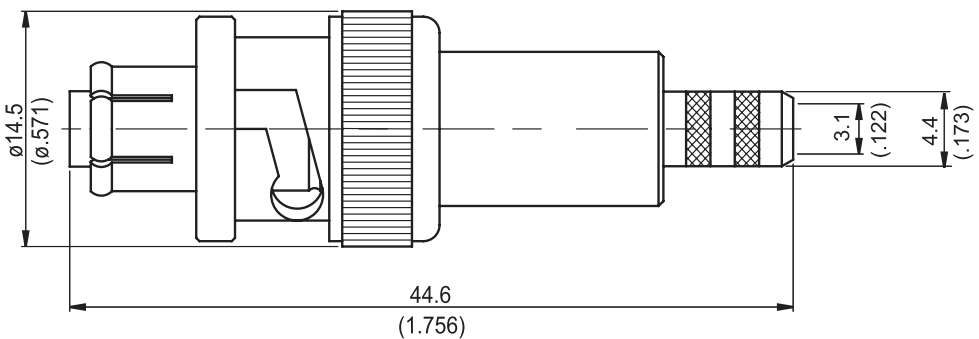
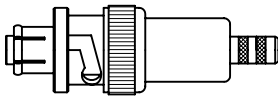
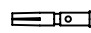
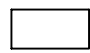
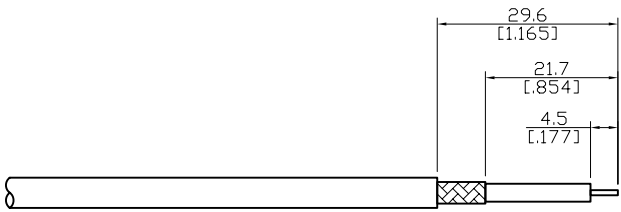
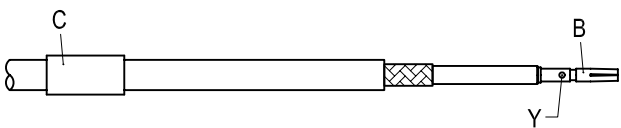
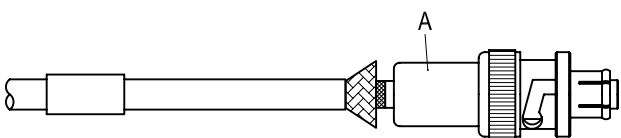
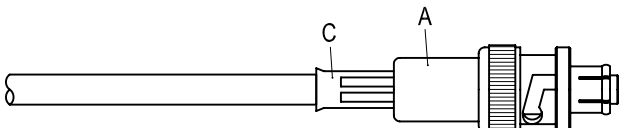


<b>SHV3100-0058</b>	<b>SHV Plug Crimp</b>	<b>50Ω</b>																														
																																
<table border="1" style="width: 100%; border-collapse: collapse;"> <thead> <tr> <th style="width: 15%;">Parts</th> <th style="width: 20%;">Material</th> <th style="width: 65%;">Plating(Micro-inch)</th> </tr> </thead> <tbody> <tr> <td>Barrel</td> <td>Brass</td> <td>Gold 5 Over Nickel 50 Over Copper 50</td> </tr> <tr> <td>Ferrule</td> <td>Brass</td> <td>Tin-Zinc-Copper-Alloy 100 Over Copper 50</td> </tr> <tr> <td>Contact Pin</td> <td>Phosphor Bronze</td> <td>Gold 5 Over Nickel 50 Over Copper 50</td> </tr> <tr> <td>Gasket</td> <td>Silicone</td> <td></td> </tr> <tr> <td>Spring</td> <td>SK5</td> <td>Tin-Zinc-Copper-Alloy 100 Over Copper 50</td> </tr> <tr> <td>Washer</td> <td>Brass</td> <td>Tin-Zinc-Copper-Alloy 100 Over Copper 50</td> </tr> <tr> <td>Insulator</td> <td>Teflon</td> <td></td> </tr> <tr> <td>Body</td> <td>Brass</td> <td>Tin-Zinc-Copper-Alloy 100 Over Copper 50</td> </tr> <tr> <td>Coupling Nut</td> <td>Brass</td> <td>Tin-Zinc-Copper-Alloy 100 Over Copper 50</td> </tr> </tbody> </table>			Parts	Material	Plating(Micro-inch)	Barrel	Brass	Gold 5 Over Nickel 50 Over Copper 50	Ferrule	Brass	Tin-Zinc-Copper-Alloy 100 Over Copper 50	Contact Pin	Phosphor Bronze	Gold 5 Over Nickel 50 Over Copper 50	Gasket	Silicone		Spring	SK5	Tin-Zinc-Copper-Alloy 100 Over Copper 50	Washer	Brass	Tin-Zinc-Copper-Alloy 100 Over Copper 50	Insulator	Teflon		Body	Brass	Tin-Zinc-Copper-Alloy 100 Over Copper 50	Coupling Nut	Brass	Tin-Zinc-Copper-Alloy 100 Over Copper 50
Parts	Material	Plating(Micro-inch)																														
Barrel	Brass	Gold 5 Over Nickel 50 Over Copper 50																														
Ferrule	Brass	Tin-Zinc-Copper-Alloy 100 Over Copper 50																														
Contact Pin	Phosphor Bronze	Gold 5 Over Nickel 50 Over Copper 50																														
Gasket	Silicone																															
Spring	SK5	Tin-Zinc-Copper-Alloy 100 Over Copper 50																														
Washer	Brass	Tin-Zinc-Copper-Alloy 100 Over Copper 50																														
Insulator	Teflon																															
Body	Brass	Tin-Zinc-Copper-Alloy 100 Over Copper 50																														
Coupling Nut	Brass	Tin-Zinc-Copper-Alloy 100 Over Copper 50																														
<p>Weight: 14.52 g Suitable Cables: RG58, JBY195</p>																																

**This part number complies with RoHS.**  
**Notice: JYEBAO reserves the right to make modification deemed appropriate.**

# JYE BAO CO., LTD.

## CABLE ASSEMBLY INSTRUCTION

SHV3100-0058	DATE	2016/08/22	REV	—
 <p style="text-align: center;">A</p> <p style="text-align: center;">BODY</p>	 <p style="text-align: center;">B</p> <p style="text-align: center;">CONTACT PIN</p>	 <p style="text-align: center;">C</p> <p style="text-align: center;">FERRULE</p>		
DIAGRAM	ASSEMBLY INSTRUCTION			
	<p>Step 1: STRIP AS SHOWN.</p>			
	<p>Step 2: SLIDE FERRULE " C " OVER CABLE.            Step 3: PUT PIN " B " ON CENTER CONDUCTOR AND SOLDER OR CRIMP IN " Y ".            (USE SQUARE 1.6mm/0.063inch SECTION OF INSERT-B IF CRIMPED)</p>			
	<p>Step 4: LOOSEN BRAIDING AND SLIDE CONNECTOR " A " IN PLACE.</p>			
	<p>Step 5: SLIDE FERRULE " C " TOWARDS THE CONNECTOR " A " AND CRIMP.            (USE 5.5mm/0.217inch HEX SECTION OF INSERT-B)</p>			

This part number complies with RoHS.

Notice: JYEBAO reserves the right to make modifications deemed appropriate.