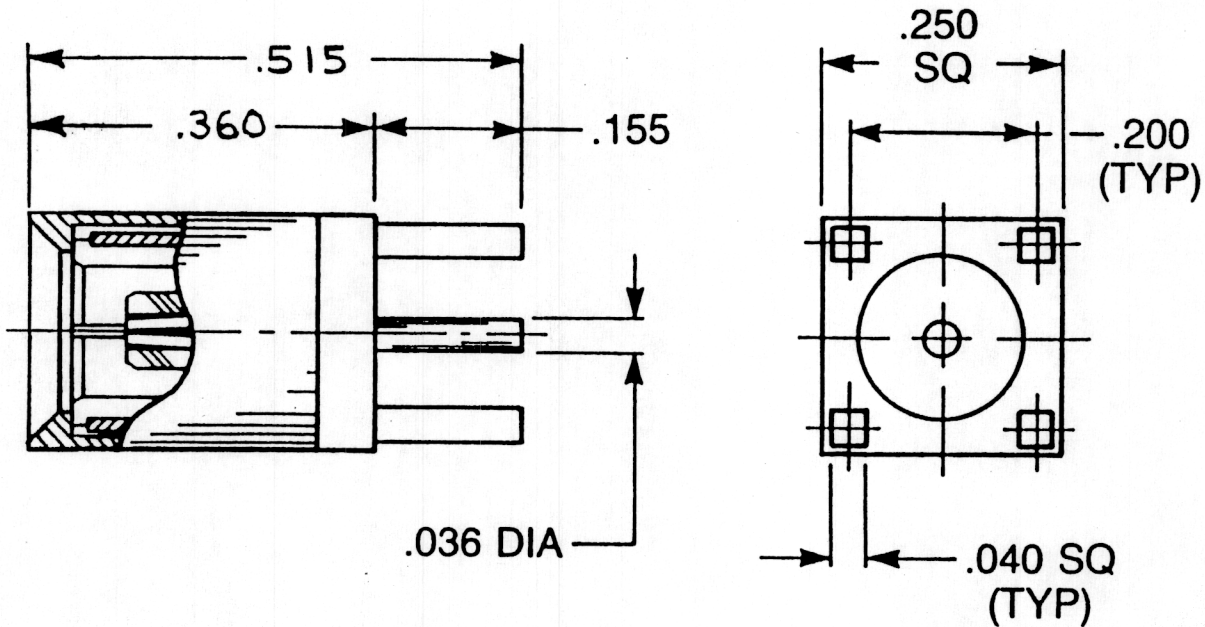


REVISIONS			
LTR	DESCRIPTION	DATE	APPROVED
A	ECO #9999	2-28-97	D.N.



**NOTES: CONFORMS TO MIL-PRF-39012**

**MATERIAL:**

1. BODY & SLEEVE = BRASS PER ASTM B16, ALLOY C36000, TEMPER H02.
2. CONTACT & SPRING = BERYLLIUM COPPER PER ASTM B196, ALLOY C17300, TEMPER TD04.
3. INSULATOR = TEFLON, VIRGIN WHITE PER ASTM D1710, GRADE I, TYPE I, CLASS A.

**FINISHES:**

1. CONTACT = GOLD PLATE PER MIL-G-45204, TYPE II, CLASS 1, GRADE C, OVER .00010 TO .00020 STRESS FREE SULFAMATE NICKEL PER QQ-N-290.
2. ALL OTHER METAL PARTS = GOLD PLATE PER MIL-G-45204 TYPE II, CLASS O, GRADE C OVER .00010 TO .00020 COPPER STRIKE PER MIL-C-14550.

PROPRIETARY INFORMATION  
NOT TO BE RELEASED  
WITHOUT WRITTEN PERMISSION  
FROM AN AUTHORIZED  
REPRESENTATIVE OF  
APPLIED ENGINEERING PRODUCTS.

UNLESS OTHERWISE SPECIFIED DIMENSIONS ARE IN INCHES TOLERANCES ON FRAC.   DECIMAL   ANGLES 1/64     ± 2°	DRAWN D.N.	DATE 2-28-97	APPLIED ENGINEERING PRODUCTS 104 John W. Murphy Drive, P.O. Box 510 New Haven, CT 06513	
	CHECKED <i>[Signature]</i>	DATE 2/28/97		
MATERIAL:  SEE NOTES	APPROVED VPS	DATE 2-28-97	SLB STRAIGHT FEMALE PLUG RECEPTACLE	
	FINISH:  SEE NOTES			
	SIZE A	CODE IDENT NO. 19505	3025-1511-005	
	SCALE NTS	REV. A	SHEET 1	OF 1