

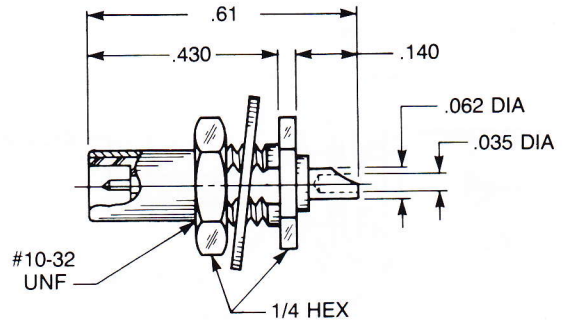


Straight Male Bulkhead Jack Receptacle

- Solder pot contact
- Rear mount

3004-1511-000 (Gold plated)
 3004-7511-000 (Nickel plated)

See page 95 for float-mount version

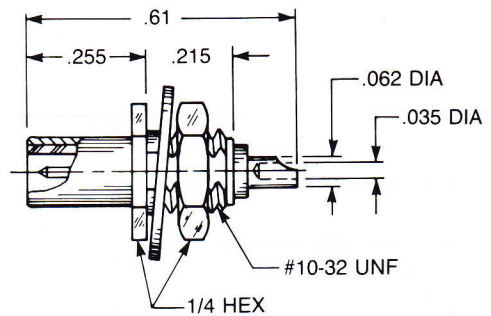


Straight Male Bulkhead Jack Receptacle

- Solder pot contact
- Front mount

3019-1511-000 (Gold plated)
 3019-7511-000 (Nickel plated)

See page 95 for float-mount version

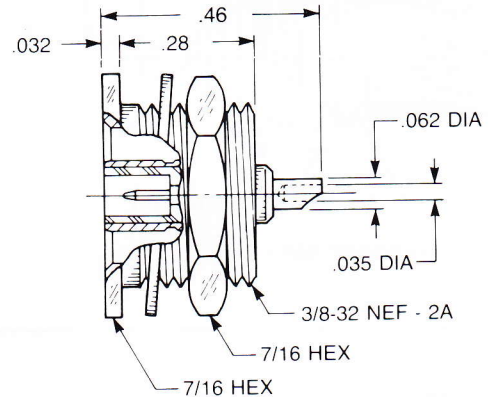


Straight Male Bulkhead Jack Receptacle

- Solder pot contact
- Recessed front mount

3014-1511-000 (Gold plated)
 3014-7511-000 (Nickel plated)

See page 95 for float-mount version



Right Angle Male Bulkhead Jack Receptacle

- Solder pot contact
- Front mount

3012-1511-000 (Gold plated)
 3012-7511-000 (Nickel plated)

