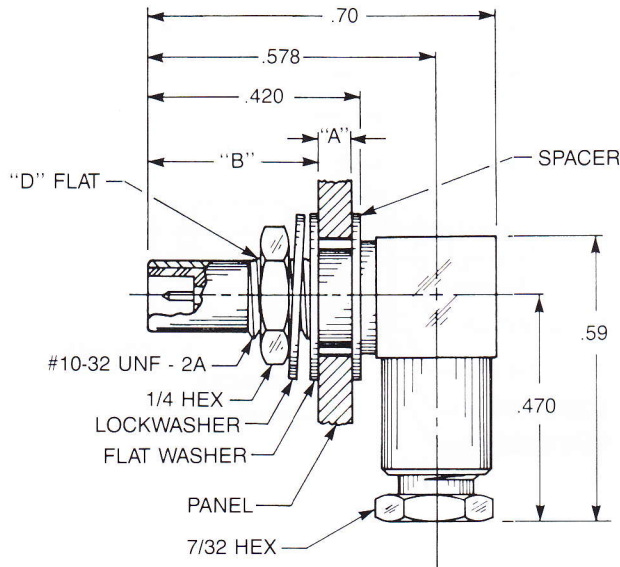




BULKHEAD JACK RECEPTACLES

FLOAT MOUNT / BLIND MATE

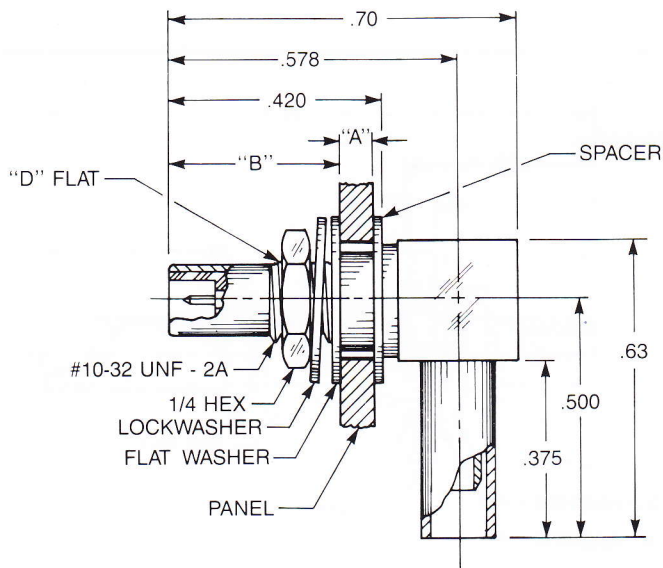
Float Mount Right Angle Male Bulkhead Cable Jack



Dim. A	Dim. B	Clamp type for flexible cable:
.031	.360	3006-1551-5XX (Gold plated)
		3006-7551-5XX (Nickel plated)
.062	.329	3006-1551-6XX (Gold plated)
		3006-7551-6XX (Nickel plated)
.093	.298	3006-1551-7XX (Gold plated)
		3006-7551-7XX (Nickel plated)

Dim. A	Dim. B	Solder-clamp for semi-rigid cable:
.031	.360	3006-1541-5XX (Gold plated)
		3006-7541-5XX (Nickel plated)
.062	.329	3006-1541-6XX (Gold plated)
		3006-7541-6XX (Nickel plated)
.093	.298	3006-1541-7XX (Gold plated)
		3006-7541-7XX (Nickel plated)

Float Mount Right Angle Male Bulkhead Cable Jack



Dim. A	Dim. B	Crimp type for flexible cable:
.031	.360	3106-1521-5XX (Gold plated)
		3106-7521-5XX (Nickel plated)
.062	.329	3106-1521-6XX (Gold plated)
		3106-7521-6XX (Nickel plated)
.093	.298	3106-1521-7XX (Gold plated)
		3106-7521-7XX (Nickel plated)

Substitute the appropriate cable group for 'XX':

02	RG178, RG196, M17/93, M17/169	09	.141" semi-rigid, RG402, M17/130
03	RG174, RG179, RG316, M17/113, M17/119, M17/172, M17/173	10	.085" semi-rigid, RG405, M17/133
05	RG178DS, RG196DS	19	RG174DS, RG316DS, M17/152, Times RD316

See page 91 for float mount details

e-mail: aepsales@aepconnectors.com

AEP New Haven, CT
203/776-2813