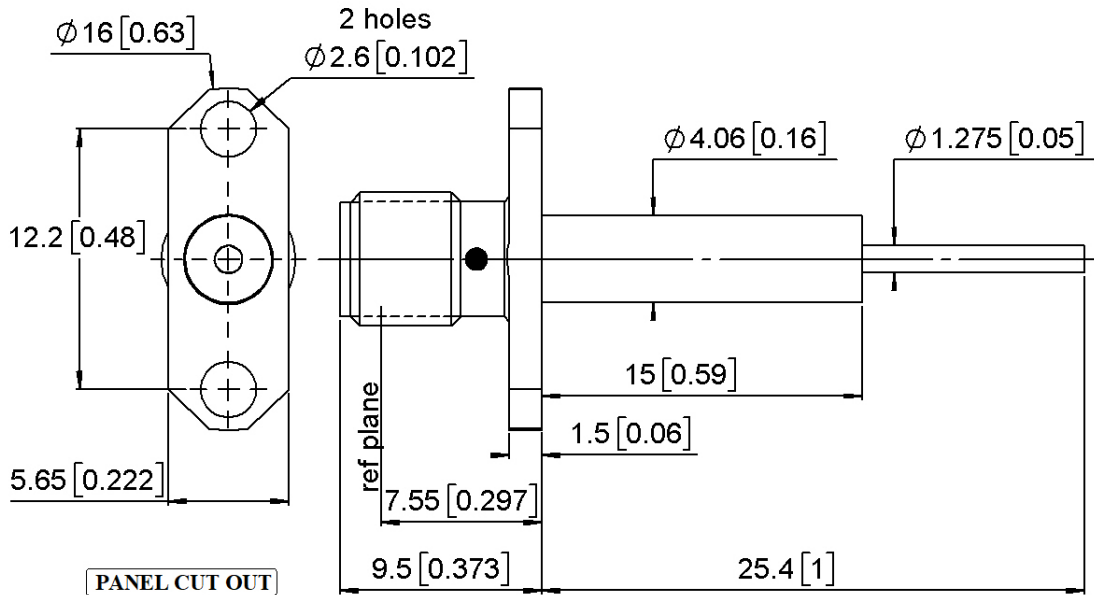
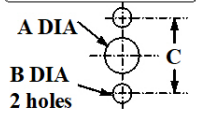


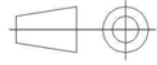
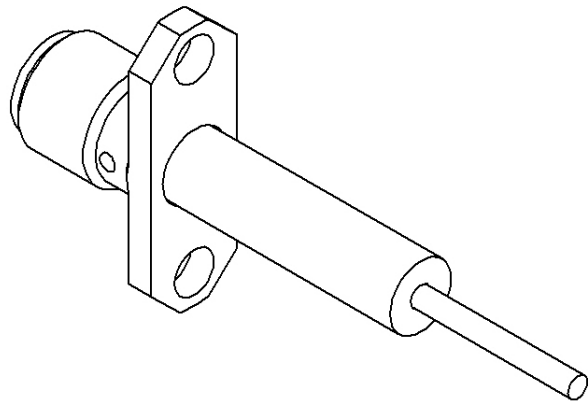
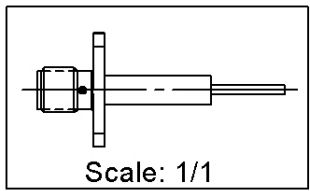
PAGE 1/2	ISSUE 27-09-21A	SERIES SMA	PART NUMBER R125464291
----------	--------------------	------------	------------------------



PANEL CUT OUT



	mm	
	Maxi	mini
A	4.2	4.1
B	2.65	2.6
C	12.25	12.15



All dimensions are in mm. Tolerances according ISO 2768 m-H

COMPONENTS	MATERIALS	PLATING (μm)
Body	STAINLESS STEEL	PASSIVATED
Center contact	BERYLLIUM COPPER	GOLD OVER NICKEL
Outer contact		
Insulator	PTFE	
Gasket		
Others parts		
-	-	-
-	-	-

PAGE 2/2	ISSUE 27-09-21A	SERIES SMA	PART NUMBER R125464291
----------	---------------------------	-------------------	-------------------------------

PACKAGING

Standard	Unit	Other
100	Contact us	Contact us

ELECTRICAL CHARACTERISTICS

Impedance		50	Ω
Frequency		0-18	GHz
VSWR	*1.06	+	0,003 x F(GHz) Maxi
Insertion loss		*0.07	√F(GHz) dB Maxi
RF leakage	- (60	- F(GHz)) dB Maxi
Voltage rating		500	Veff Maxi
Dielectric withstanding voltage		1000	Veff mini
Insulation resistance		5000	MΩ mini

MECHANICAL CHARACTERISTICS

Center contact retention			
Axial force – Mating End		27	N mini
Axial force – Opposite end		27	N mini
Torque		2.8	N.cm mini

Recommended torque			
Mating		N/A	N.cm
Panel nut		N/A	N.cm

Mating life		500	Cycles mini
Nominal Weight (Add +15% for max weight)		2,000	g

ENVIRONMENTAL

Operating temperature	-65/+165	°C
Hermetic seal	N/A	Atm.cm3/s
Panel leakage	N/A	

SPECIFICATION

OTHER CHARACTERISTICS

Assembly instruction:**NA**

Others:

***Coaxial Transmission Line Only**