

MATERIAL:

BODY / 303 STAINLESS STEEL PER QQ-S-764.
 INSULATOR / TEFLON PER L-P-403.
 CONTACT / BERYLLIUM COPPER PER QQ-C-530.
 INTERNAL O-RING / SILICONE PER ZZ-R-765.

ELECTRICAL SPECS:

IMPEDANCE / 50 OHMS
 VOLTAGE RATING / 335 V RMS
 DIELECTRIC WITHSTANDING VOLTAGE / 1000 V RMS MIN.
 INSULATION RESISTANCE / 5000 MEGOHMS MIN.

FINISH:

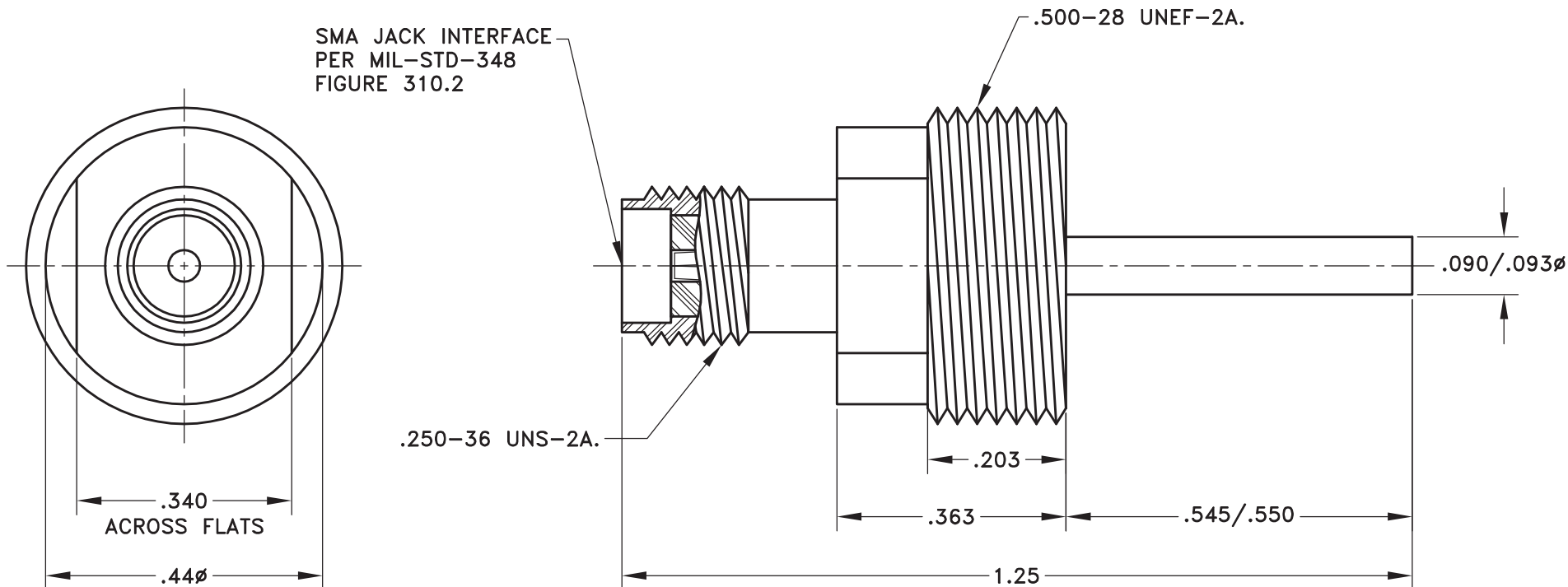
BODY / PASSIVATED.
 CONTACT / GOLD PLATED.

TEMPERATURE RANGE

-65°C TO +165°C

LEAK RATE

5 P.S.I.G. AIR PRESSURE WITHOUT LEAKING (BUBBLE TEST)



REVISIONS

THIS DOCUMENT CONTAINS PROPRIETARY INFORMATION
 & MAY NOT BE REPRODUCED OR DISCLOSED TO OTHERS
 WITHOUT WRITTEN CONSENT FROM CONNECTRONICS, INC.

OUTLINE DRAWING

CONNECTRONICS, INC. EDINBURGH, INDIANA		FSCM 43608
DWG BY: RLC	DATE: 9/10/10	TOLERANCES UNLESS OTHERWISE SPECIFIED
APVD BY:	SCALE: _____	2 PL DEC ±.020
MATERIAL: _____		3 PL DEC ±.005
FINISH: _____		ANG. DIM ±1/2°
DESCRIPTION: SMA		DRAWING NO.
JACK, PRESSURIZED		42-487-1
		SHT 1 OF 1