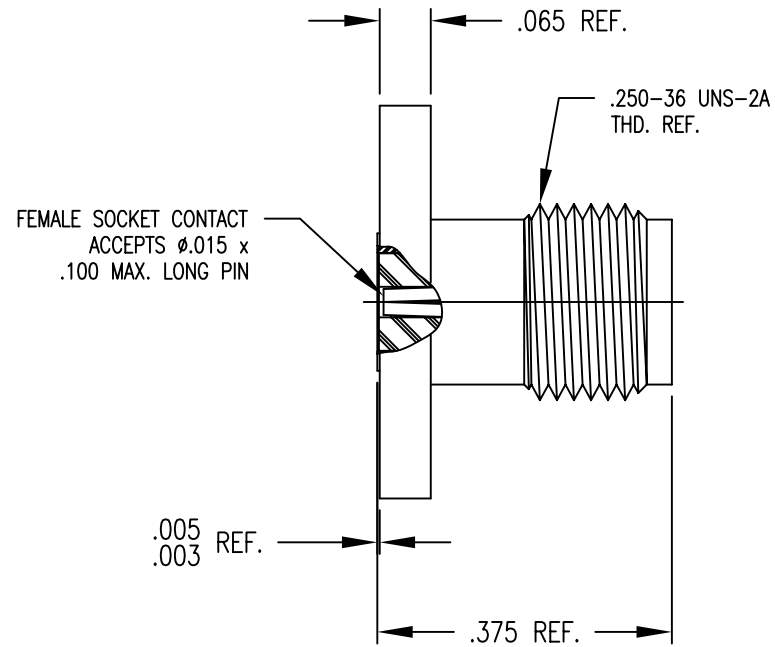
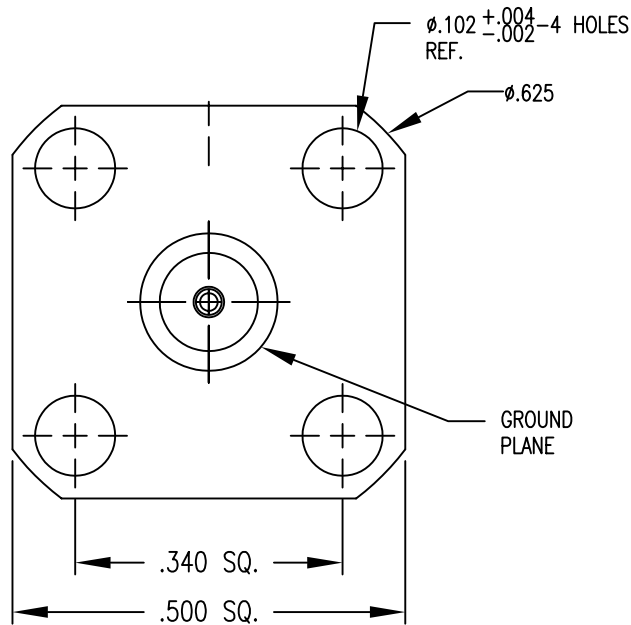


- 1.0 PERFORMANCE:
 1.1 FREQUENCY RANGE DC-27 GHz
 1.2 VSWR TYP < 1.25 THRU 20GHz
 < 1.07 (DC-11GHz)
 < 0.85+.02F (11-20GHz)
 1.3 SYSTEM IMPEDANCE 50 OHMS
 1.4 DWV: 1000 Vrms @ 60 Hz (SEA LEVEL)
 1.5 VOLTAGE RATING: 335 Vrms (SEA LEVEL)
 1.6 TEMP RANGE: -65 / +165 °C

- 2.0 MATERIALS
 2.1 SOCKET CONTACT: BeCu
 2.2 BODY: STAINLESS STEEL 303
 2.3 INSULATOR: PTFE
 2.4 FINISHES
 2.5 CONTACTS: MINIMUM PLATE OF .000050 GOLD
 OVER .000080 NICKEL
 2.6 BODY: PASSIVATED

- 4.0 MECHANICAL
 4.1 INTERFACES PER MIL-STD-348
 4.2 SOCKET MATING CHARACTERISTICS:
 INSERTION FORCE ϕ .016 PIN: 20 OZ TYP, 30 OZ MAX
 WITHDRAWAL FORCE ϕ .014 PIN: 0.5 OZ MIN
 4.3 CONTACT RETENTION: 4 LBS MIN
 4.4 DURABILITY: 500 CYCLES

DO NOT SCALE DRAWING



P/N 1206-19-PJ

Rev.	Revisions	Disp.	Date	Dwn.	Appd.
E	UPDATE PER TEST RESULTS		9/7/05	WJ	FSH
D	UPADATED RF PERFORMANCE		4/15/05	RF	FSH
C	REVISED FLANGE		06/22/04	DT	FSH
B	CHANGED PERFORMANCE SPECIFICATIONS		06/04/04	DT	FSH
A	ORIGINAL	NEW	02/20/02		
RECOM. STOCK SIZE	FT/M PCS	Ref. SK	REMOVE ALL BURRS AND SHARP EDGES .005 MAX.	INTERPRET PER ASME Y14.5M-1994	

THIS DRAWING CONTAINS CONFIDENTIAL INFORMATION PROPRIETARY TO SAN-TRON INC. IT MUST NOT BE REPRODUCED OR DISCLOSED TO OTHERS OR USED IN ANY OTHER WAY, IN WHOLE OR PART EXCEPT AS AUTHORIZED IN WRITING BY SAN-TRON INCORPORATED.

UNLESS OTHERWISE SPECIFIED:
 ALL DIMENSIONS ARE IN INCHES.
 ALL DIMENSIONS ARE AFTER PLATING.
 .XXX= \pm .005 ALL MACHINED SURFACES \sqrt{R} MAX.
 .XX= \pm .01 ANG. \pm 1/2' FRACTIONAL= \pm 1/64
 [◎].004 MAX. TIR. [⊥] AXIS .001

THIRD ANGLE PROJECTION

DWN	JMB	02/19/02
CHKD	SJS	02/20/02
APPR	FSH	02/20/02

SAN-TRON, INC.
 4 NEWBURYPORT TPK. IPSWICH MA USA 01938
 TEL: 978 - 356 -1585 FAX: 978 - 356 -1573
 WWW. santron.com E MAIL: santron@santron.com

TITLE SMA RECEPTACLE, STRAIGHT FEMALE, 4 HOLE FLANGE, FIELD REPLACEABLE ϕ .015 PIN

MATERIAL: SEE NOTE 2.0 FINISH: SEE NOTE 3.0

CAGE CODE: 50896 DWG NO. OL-1206-19-1

SCALE: X:X