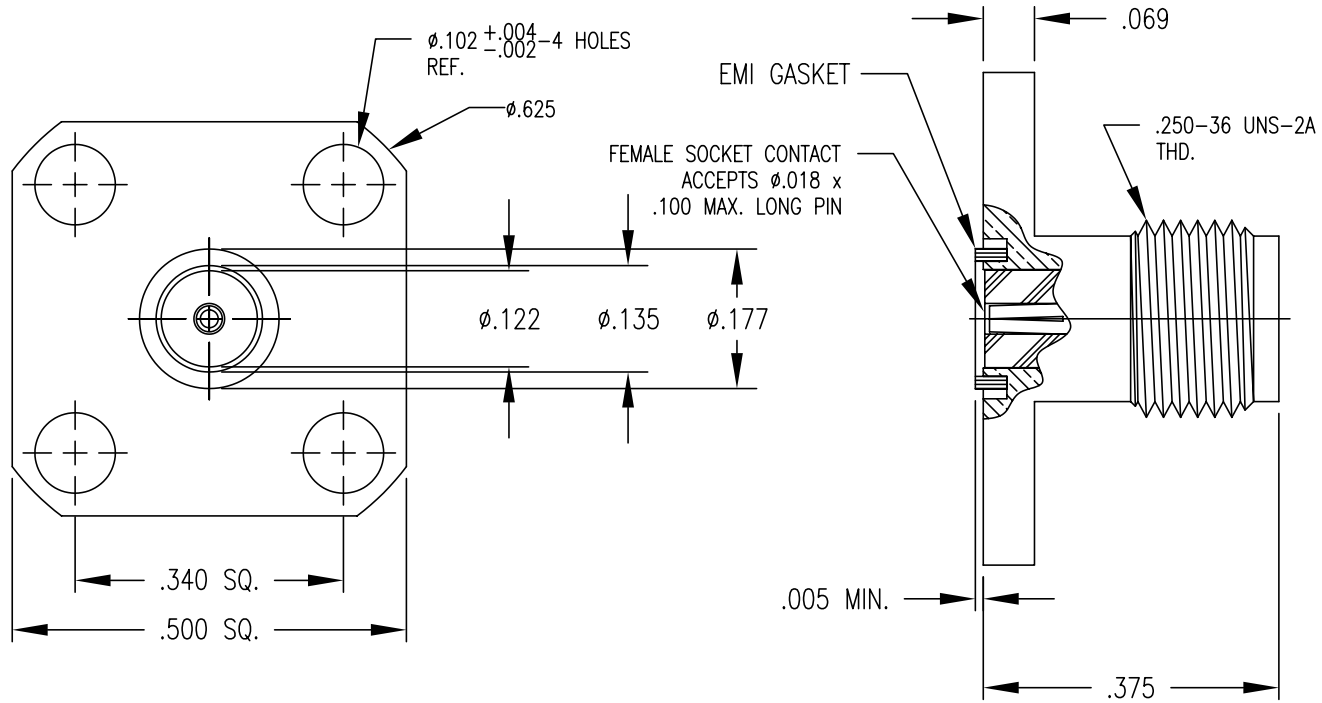


- 1.0 PERFORMANCE:
 1.1 FREQUENCY RANGE DC-27 GHz
 1.2 VSWR TYP < 1.25 THRU 20 GHz
 1.3 SYSTEM IMPEDANCE 50 OHMS
 1.4 DWV: 750 Vrms @ 60 Hz (SEA LEVEL)
 1.5 VOLTAGE RATING: 335 Vrms (SEA LEVEL)
 1.6 TEMP RANGE: -65 / +165 °C


- 2.0 MATERIALS
 2.1 SOCKET CONTACT: BeCu
 2.2 BODY: STAINLESS STEEL 303
 2.3 INSULATOR: PTFE
 2.4 EMI GASKET: SILVER FILLED FLUOROSILICONE
 (REF: MIL-DTL-83528C)
 3.0 FINISHES
 3.1 CONTACTS: MINIMUM PLATE OF .000050 GOLD
 OVER .000080 NICKEL
 3.2 BODY: PASSIVATED

- 4.0 MECHANICAL
 4.1 INTERFACES PER MIL-STD-348
 4.2 SOCKET MATING CHARACTERISTICS:
 INSERTION FORCE ϕ .019 PIN: 20 OZ TYP, 30 OZ MAX
 WITHDRAWAL FORCE ϕ .017 PIN: 0.5 OZ MIN
 4.3 CONTACT RETENTION: 4 LBS MIN
 4.4 DURABILITY: 500 CYCLES

DO NOT SCALE DRAWING



P/N 1206-79-PJ

				THIS DRAWING CONTAINS CONFIDENTIAL INFORMATION PROPRIETARY TO SAN-TRON INC. IT MUST NOT BE REPRODUCED OR DISCLOSED TO OTHERS OR USED IN ANY OTHER WAY, IN WHOLE OR PART EXCEPT AS AUTHORIZED IN WRITING BY SAN-TRON INCORPORATED.				 SAN-TRON, INC. 4 NEWBURYPORT TPK. IPSWICH MA USA 01938 TEL: 978 - 356 -1585 FAX: 978 - 356 -1573 WWW.santron.com E MAIL: santron@santron.com			
				UNLESS OTHERWISE SPECIFIED: ALL DIMENSIONS ARE IN INCHES. ALL DIMENSIONS ARE AFTER PLATING. .XXX = \pm .005 ALL MACHINED SURFACES ϕ 3/ MAX. .XX = \pm .01 ANG. \pm 1/2' FRACTIONAL = \pm 1/64 ◎.004 MAX. TIR. ⊥ AXIS .001				TITLE SMA RECEPTACLE, STRAIGHT FEMALE, 4 HOLE FLANGE, FIELD REPLACEABLE ϕ .018 PIN			
A ORIGINAL				NEW 1/18/06				MATERIAL: SEE NOTE 2.0		FINISH: SEE NOTE 3.0	
Revisions				Disp.		Date		DWN		Date	
RECOM. STOCK SIZE		FT/M PCS		Ref.: SK		REMOVE ALL BURRS AND SHARP EDGES .005 MAX.		INTERPRET PER ASME Y14.5M-1994		CAGE CODE: 50896	
								DWN FSH 1/18/06		DWG NO. OL-1206-79-1	
								CHKD SJS 1/27/06		REV. A	
								APPR FSH 1/18/06		SCALE X:X	