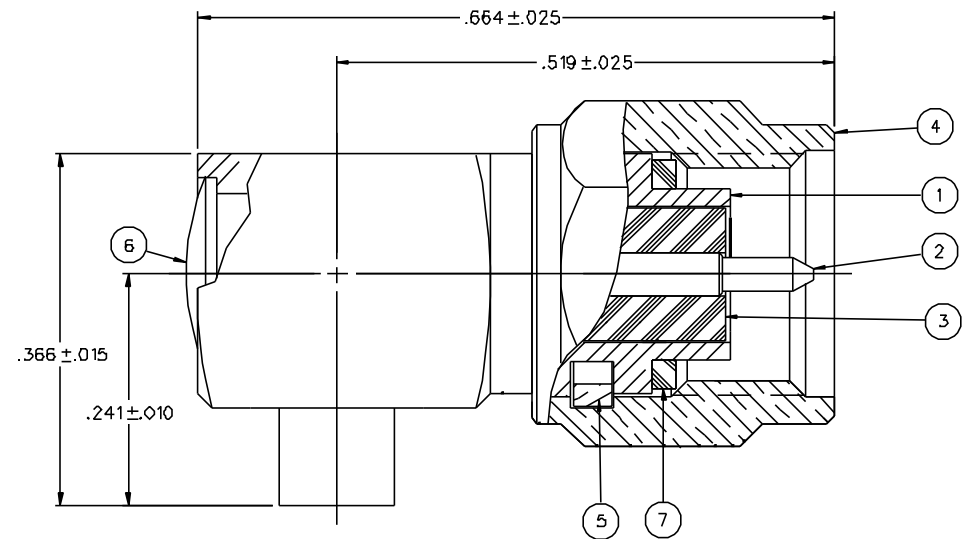


| PART NUMBER | ITEM ① BODY | ITEM ② CONTACT | ITEM ③ INSULATOR | ITEM ④ HEX NUT | ITEM ⑤ RETENTION SPRING | ITEM ⑥ END CAP | ITEM ⑦ GASKET |
|--------------|---|---|---------------------|---|------------------------------|---|------------------|
| 142-D693-101 | BRASS GOLD PL .00001 MIN OVER NICKEL PL .00005 MIN OVER COPPER PL .00005 MIN | BRASS GOLD PL .00005 MIN OVER NICKEL PL .00005 MIN OVER COPPER PL .00005 MIN | TEFLON | BRASS GOLD PL .00001 MIN OVER NICKEL PL .00005 MIN OVER COPPER PL .00005 MIN | BERYLLIUM COPPER UNPLATED | BRASS GOLD PL .00001 MIN OVER NICKEL PL .00005 MIN OVER COPPER PL .00005 MIN | NONE |
| 142-D693-103 | BRASS GOLD PL .00001 MIN OVER NICKEL PL .00005 MIN OVER COPPER PL .00005 MIN | BRASS GOLD PL .00005 MIN OVER NICKEL PL .00005 MIN OVER COPPER PL .00005 MIN | TEFLON | BRASS GOLD PL .00001 MIN OVER NICKEL PL .00005 MIN OVER COPPER PL .00005 MIN | BERYLLIUM COPPER UNPLATED | BRASS GOLD PL .00001 MIN OVER NICKEL PL .00005 MIN OVER COPPER PL .00005 MIN | SILICONE RUBBER |
| 142-D693-106 | BRASS NICKEL PL .0001 MIN OVER COPPER PL .00005 MIN | BRASS GOLD PL .00005 MIN OVER NICKEL PL .00005 MIN OVER COPPER PL .00005 MIN | TEFLON | BRASS NICKEL PL .0001 MIN OVER COPPER PL .00005 MIN | BERYLLIUM COPPER UNPLATED | BRASS NICKEL PL .0001 MIN OVER COPPER PL .00005 MIN | NONE |
| 142-D693-107 | BRASS NICKEL PL .0001 MIN OVER COPPER PL .00005 MIN | BRASS GOLD PL .00003 MIN OVER NICKEL PL .00005 MIN OVER COPPER PL .00005 MIN | TEFLON | BRASS NICKEL PL .0001 MIN OVER COPPER PL .00005 MIN | BERYLLIUM COPPER UNPLATED | BRASS NICKEL PL .0001 MIN OVER COPPER PL .00005 MIN | SILICONE RUBBER |

| | |
|--|--|
| DRAWING NO. C - 142-0693-101/110 | |
| 0 | REVISIONS |
| ENGINEERING RELEASE | |
| 1 | 6-26-97 R H S I T R 8 7-16-97 ECN 44773 |
| ADDED: P/N'S 142-0693-103 AND 142-0693-107, ITEM 7 | |
| ***** REVISION NUMBER FOLLOWED BY AN ALPHA ***** ***** CHARACTER INDICATES DRAWING CLARIF. ***** ***** CAUTION ON PART NUMBER ADDITION ONLY. ***** | |
| 1a | 10-21-99 R H S I T R 11-4-99 ECN 46778 |
| UPDATED TO 1 PC BODY DESIGN | |
| 2 | 1-12-00 R H S I T R 4 ECN 46787 |



NOTES:

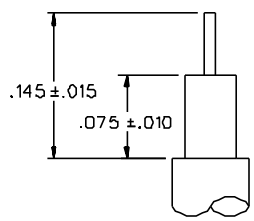
1. SPECIFICATIONS:

IMPEDANCE: 50 OHMS
 FREQUENCY RANGE: 0-18 GHZ
 VSWR: 1.18+.015F MAX (0-12.4 GHZ) (F IN GHZ)
 VSWR: 1.15+.04F MAX (12.4-18GHZ) (F IN GHZ)
 WORKING VOLTAGE: 335 VRMS MAX AT SEA LEVEL
 DIELECTRIC WITHSTANDING VOLTAGE: 1000 VRMS MIN AT SEA LEVEL
 INSULATION RESISTANCE: 5000 MEGOHM MIN
 CONTACT RESISTANCE:
 CENTER CONTACT - INITIAL 4.0 MILLIOHM MAX, AFTER ENVIRONMENTAL 6.0 MILLIOHM MAX
 OUTER CONDUCTOR - INITIAL 2.0 MILLIOHM MAX AFTER ENVIRONMENTAL NOT APPLICABLE
 BODY TO CABLE - 0.5 MILLIOHM MAX (GOLD PLATED), 5.0 MILLIOHM MAX (NICKEL PLATED)
 CORONA LEVEL: 250 VOLTS MIN AT 70,000 FEET
 INSERTION LOSS: .05 √F (F IN GHZ) AT 10 GHZ
 RF LEAKAGE: -90 DB MIN AT 2.5 GHZ
 RF HIGH POTENTIAL WITHSTANDING VOLTAGE: 67D VRMS MIN AT 4 AND 7 MHZ

MECHANICAL:

ENGAGE/DISENGAGE TORQUE: 2 INCH-POUNDS MAX
 MATING TORQUE: 7-10 INCH POUNDS
 COUPLING PROOF TORQUE: 15 INCH-POUNDS MIN
 COUPLING NUT RETENTION: 6D LBS MIN
 CONTACT RETENTION: 6 LBS MIN
 CABLE ACCEPTABILITY: RC 405/U
 CABLE HEX CRIMP SIZE: NOT APPLICABLE
 CABLE RETENTION: 30 LBS MIN AXIAL FORCE
 16 IN-OUNCE MIN TORQUE
 DURABILITY: 500 CYCLES MIN
 ENVIRONMENTAL:

(MEETS OR EXCEEDS THE APPLICABLE PARAGRAPH OF MIL-C-39012)
 THERMAL SHOCK: MIL-STD-202, METHOD 107, CONDITION B, EXCEPT +115 DEG C HIGH TEMP
 OPERATING TEMPERATURE: -65 DEG C TO 165 DEG C
 CORROSION: MIL-STD-202, METHOD 101, CONDITION B
 SHOCK: MIL-STD-202, METHOD 213, CONDITION I
 VIBRATION: MIL-STD-202, METHOD 204, CONDITION D
 MOISTURE RESISTANCE: MIL-STD-202, METHOD 106



CABLE STRIP DIMENSIONS

CUSTOMER DRAWING

THIS DRAWING TO BE INTERPRETED PER ANSYI 14.5M - 1982

"μSTATION"

COMPANY CONFIDENTIAL

| | | | | |
|--------------------------------------|--------------------|----------------|--|-----------------------|
| TOLERANCE UNLESS OTHERWISE SPECIFIED | DRAWN BY SWC | DATE 4-7-97 | 299 Johnson Ave. P.O. Box 1732 Waseca, MN 56093-0832 | |
| DECIMALS | CHECKED BY SWC | DATE 7-7-97 | TITLE PLUG ASSEMBLY RA CABLED SMA, RG 405 | |
| .XX | APPROVED BY TAK | DATE 7-7-97 | CODE NO. | DRAWING NO. |
| .XXX | APPROVED BY RJB | DATE 7-7-97 | C - 142-0693-101/110 | |
| MATL | RELEASE DATE | 7-16-97 | SCALE 10:1 | U/W INCH SHEET 2 OF 2 |
| FINISH | | | | |