

**Straight Jack
1/2" Square Flange**

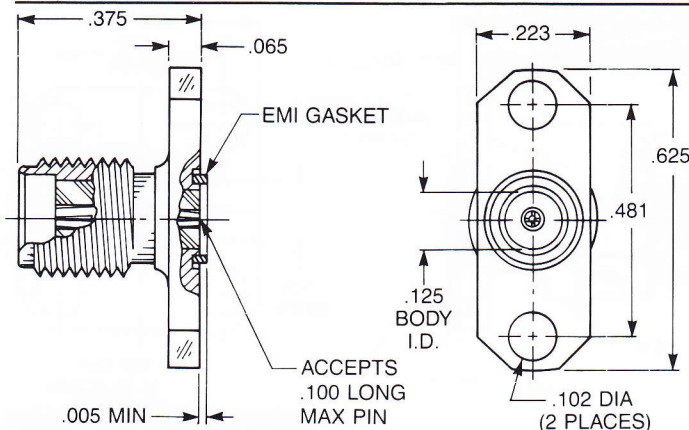
9049-9513-000

Optional packaging:

9149-9513-000 (Includes 920-56)

9249-9513-000 (Includes 920-56
and 907-111-2)

9349-9513-000 (Includes 907-111-2)



**Straight Jack
2-Hole Flange**

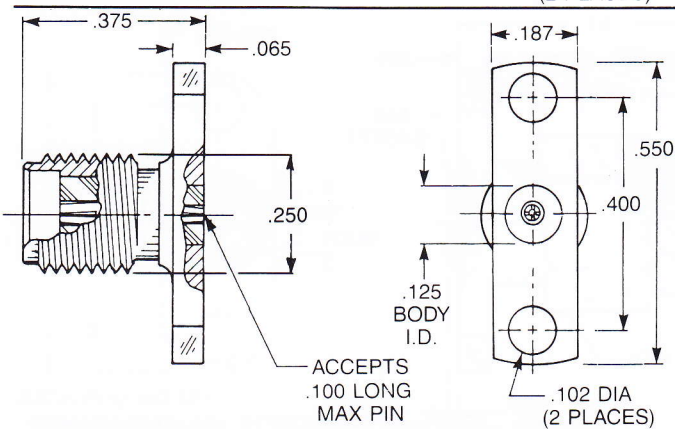
9048-9513-000

Optional packaging:

9148-9513-000 (Includes 920-56)

9248-9513-000 (Includes 920-56
and 907-111-2)

9348-9513-000 (Includes 907-111-2)



**Straight Jack
Narrow 2-Hole Flange**

No EMI gasket

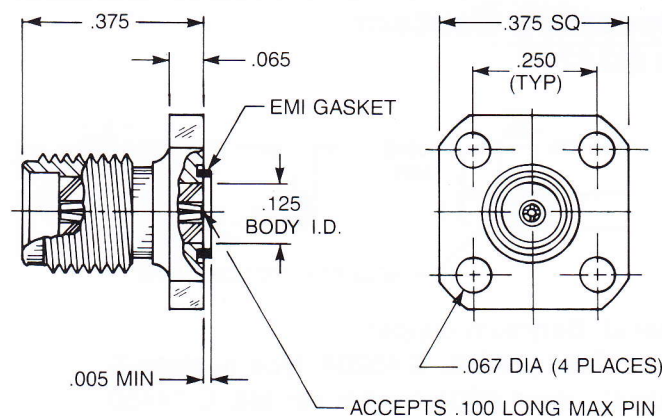
9081-9513-000

Optional packaging:

9181-9513-000 (Includes 920-56)

9281-9513-000 (Includes 920-56
and 907-111-2)

9381-9513-000 (Includes 907-111-2)



**Straight Jack
3/8" Square Flange**

9074-9513-000

Optional packaging:

9174-9513-000 (Includes 920-56)

9274-9513-000 (Includes 920-56
and 907-111-2)

9374-9513-000 (Includes 907-111-2)

These units accept pin diameters .016 to .020"

e-mail: aepsales@aepconnectors.com

AEP New Haven, CT
203/776-2813