

# ENVELOPE / ASSEMBLY DRAWING

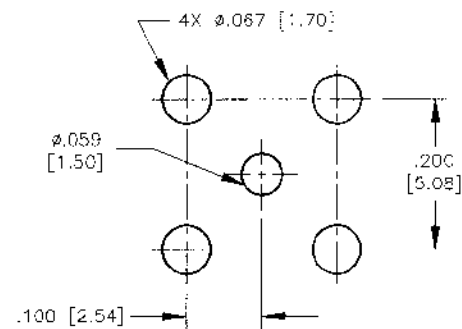
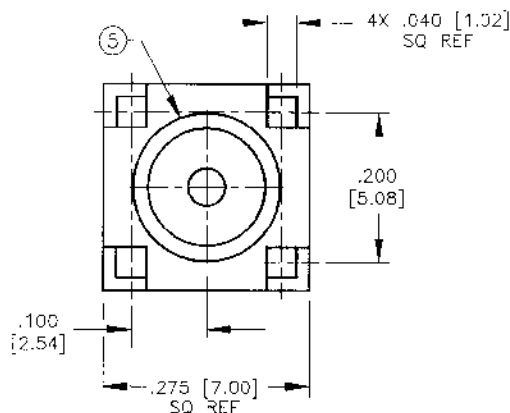
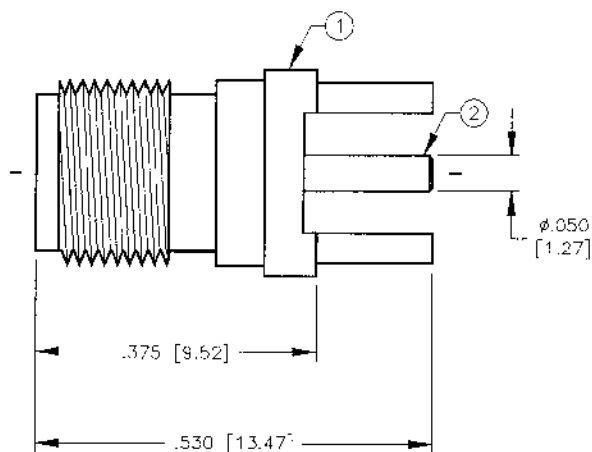
008974

## SPECIFICATION CONTROL DRAWING

THIS DRAWING CONTAINS INFORMATION PROPRIETARY TO RF INDUSTRIES, LTD. ANY UNAUTHORIZED USE OF THIS DRAWING IS EXPRESSLY PROHIBITED. ANY VIOLATION IS PUNISHABLE UNDER U.S. COPYRIGHT LAWS.

REV	DESCRIPTION	DWN	DATE	APPROVED
A	ENGINEERING RELEASE	KMM	8/20/93	K. HARTMANN
B	CHANGE PART NUMBER FROM RSA-2312-1 TO RSA-3350-1	WMD	12/18/93	C. JONES
C	UPDATE	KMM	9/10/96	R. RICE
D	ADD STEP-ON LEGS / ADD ITEM #4 & #5	CZS	11/19/98	R. RICE

ALL DIMENSIONS ARE REFERENCE ONLY



SUGGESTED MOUNTING CONFIGURATION

### SPECIFICATIONS:

IMPEDANCE: 50 OHMS

DIMENSIONS ARE IN INCHES AND [MILLIMETERS]

UNLESS OTHERWISE NOTED TOLERANCES ARE:  
DECIMALS DIAMETER

**RF connectors**  
DIVISION OF RF INDUSTRIES, LTD.

7610 MIRAMAR RD  
SAN DIEGO, CA 92126  
(619)549-6340  
(619)549-6345 FAX

## RSA-3350-1

SMA FEMALE VERTICAL PCB MOUNT

ITEM	DESCRIPTION	QTY	MATERIAL	FINISH
5	PRESS FIT WASHER	1	BRASS	GOLD
4	DIELECTRIC	1	TEFLON	NONE
3	DIELECTRIC	1	TEFLON	NONE
2	CONTACT	1	BeCu	GOLD
1	BCDY	1	BRASS	GOLD

DRAWN C. ZUNIGA	11/19/98
CHECKED <i>[Signature]</i>	11/20/98
OR DRAWN K. MAXWELL	8/11/93

SIZE A	CABLE GROUP N/A	DWG NO. 8195	REV D
SCALE: 4:	CAD FILE 13ARC B	SHEET 1 OF 1	