

ENVELOPE / ASSEMBLY DRAWING

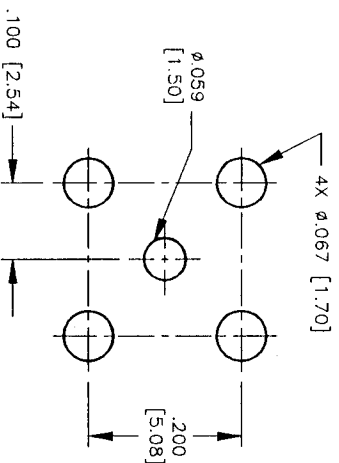
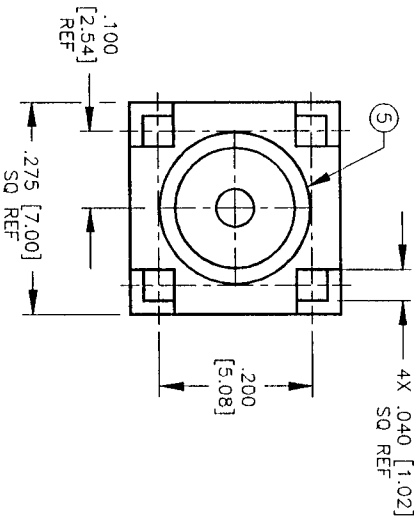
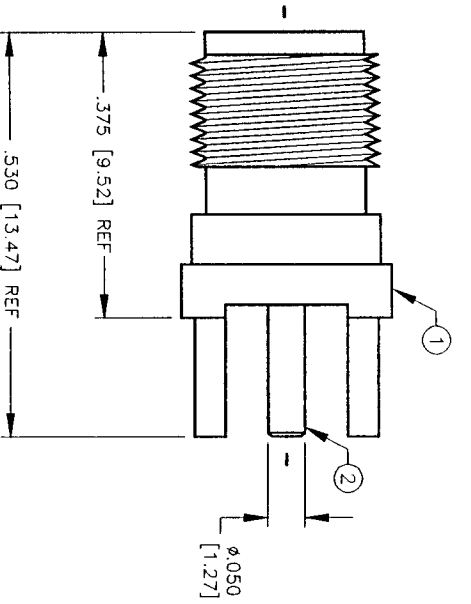
0008974

SPECIFICATION CONTROL DRAWING

THIS DRAWING CONTAINS INFORMATION PROPRIETARY TO RF INDUSTRIES, LTD. ANY UNAUTHORIZED USE OF THIS DRAWING IS EXPRESSLY PROHIBITED. ANY VIOLATION IS PUNISHABLE UNDER U.S. COPYRIGHT LAWS.

REV	DESCRIPTION	DATE	APPROVED
A	ENGINEERING RELEASE	8/20/93	K. HARTMANN
B	CHANGE PART NUMBER FROM RSA-2312 TO RSA-3350	2/20/93	C. JONES
C	UPDATE	9/10/96	R. RICE
D	ADD STEP ON LEGS	10/28/98	R. RICE

ALL DIMENSIONS ARE REFERENCE ONLY



SUGGESTED MOUNTING CONFIGURATION

SPECIFICATIONS:

IMPEDANCE: 50 OHMS

ITEM	DESCRIPTION	QTY	MATERIAL	FINISH
5	PRESS FIT WASHER	1	BRASS	NICKEL
4	DIELECTRIC	1	TEFLON	NONE
3	DIELECTRIC	1	TEFLON	NONE
2	CONTACT	1	B8CU	GOLD
1	BODY	1	BRASS	NICKEL

DIMENSIONS ARE IN INCHES AND [MILLIMETERS] UNLESS OTHERWISE NOTED TOLERANCES ARE: DECIMALS DIAMETER

DRAWN	DATE
C. ZUNIGA	10/28/98
CHECKED	01/30/98
ORU/DRAWN	8/11/93
K. MAXWELL	
APPROVALS	DATE

RF Connectors
DIVISION OF RF INDUSTRIES, LTD.

7610 MIRAMAR RD
SAN DIEGO, CA 92126
(619)549-6340
(619)549-6345 FAX

RSA-3350

SMA FEMALE VERTICAL PCB MOUNT

SIZE	CABLE GROUP	DWG NO.	REV
A	N/A	8196	D

SCALE: 4:1 CAD FILE 13ARC B SHEET 1 OF 1