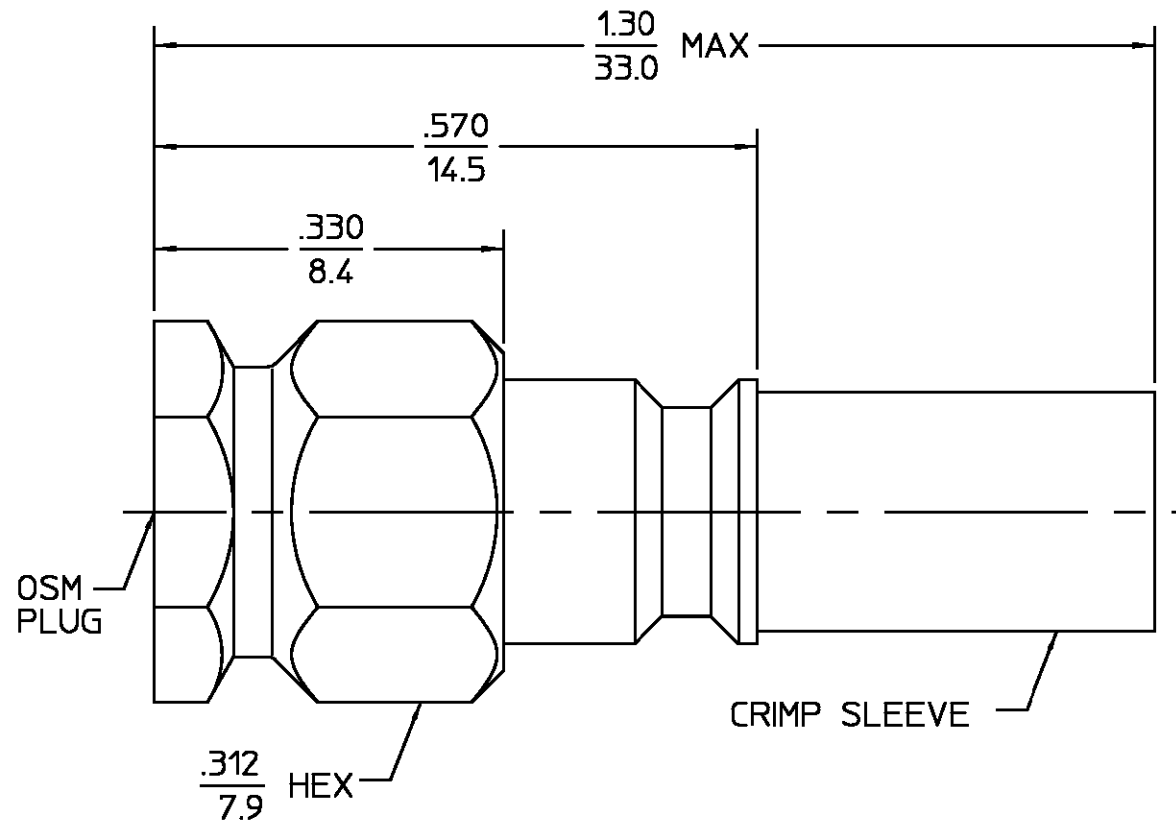


DESIGNED FOR USE WITH	RG142/U OR EQUIVALENT
CABLE ENTRY DIAMETER	MINIMUM
CONTACT	.040
HOUSING	.121
FERRULE	.216

REVISIONS			
REV	DESCRIPTION	DATE	APPROVED
01 ₀	RELEASED	7/7/94	<i>PA</i>



COMPONENT	MATERIAL	FINISH
COUPLING NUT HOUSING	STAINLESS STEEL PER ASTM-A484 AND ASTM-A582, TYPE 303	PASSIVATE PER ASTM-A380
DIELECTRIC	TFE FLUOROCARBON PER ASTM-D-1457	N/A
CENTER CONTACT	BERYLLIUM COPPER PER ASTM B 196, ALLOY C17300, CONDITION H	GOLD PLATE PER MIL-G-45204
RETAINING RING	BERYLLIUM COPPER PER ASTM B 194, ALLOY C17200, CONDITION H	N/A
GASKET	SILICONE RUBBER PER ZZ-R-765	N/A
FERRULE	COPPER OR BRASS ALLOY ROCKWELL F65 MAXIMUM	GOLD PLATE PER MIL-G-45204

ELECTRICAL	MECHANICAL	ENVIRONMENTAL
Nominal Impedance (Ohms) <u>50</u>	Interface Dimensions MIL-STD-348A, Fig. <u>310.1</u>	Temperature Rating <u>-65°C to +165°C</u>
Frequency Range (GHz) DC to <u>12.4</u>	Recommended Mating	Vibration MIL-STD-202, Method 204, Condition D.
Volt Rating (VRMS MAX) @ Sea Level <u>335</u>	Torque <u>7 - 10 in-lbs</u>	Shock MIL-STD-202, Method 213, Condition I.
VSWR <u>1.15 + .01 f(GHz)</u>	Mating Characteristics:	Thermal Shock MIL-STD-202, Method 107, Condition B, Except High Temp +200°C
Insertion Loss (dB MAX) <u>.06 √f(GHz)</u>	Insertion (MAX Lbs) <u>N/A</u>	Moisture Resistance MIL-STD-202, Method 106
RF Leakage (dB MIN) <u>-60 @ 2-3 GHz</u>	Withdrawal (MIN Oz) <u>N/A</u>	Corrosion - MIL-STD-202, Method 101, Condition B, 5% salt spray
Corona, 70,000 Ft (VRMS MIN) <u>250</u>	Force to Engage and Disengage (In-Lbs MAX) <u>2.0</u>	
Dielectric Withstanding Voltage (VRMS MIN) @ Sea Level <u>1,000</u>	Center Contact Captivation	
Contact Resistance (Milliohms MAX)	Axial (Lbs) <u>6.0</u>	
Center Contact <u>3.0</u>	Radial (In-Oz) <u>N/A</u>	
Outer Contact <u>2.0</u>	Cable Retention	
Cable to Housing <u>0.5</u>	Axial Force (Lbs MIN) <u>40</u>	
RF High Potential @ Sea Level (VRMS MIN @ 5 MHz) <u>670</u>	Torque (In-Oz) <u>N/A</u>	
I.R.(Megohms MIN) <u>5,000</u>	Weight (Grams) <u>TBD</u>	

UNLESS OTHERWISE SPECIFIED DIMENSIONS ARE IN INCHES TOLERANCE ON

FRAC.	DEC.	ANGLES
± 1/64	±.005	± °

These drawings and specifications are the property of Omni Spectra Incorporated and shall not be reproduced or copied or used in whole or in part as the basis for the manufacture or sale of item(s) without written permission.

DRAWN BY *PA* DATE 7/7/94
 CHECKED BY *PA*
 APP'D BY *PA* 7/7/94

USE ASS'Y PROCEDURE

NO. AP. 408-04935 (20-514)

AMP Incorporated
 140 Fourth Avenue
 Waltham, MA 02451-7599

AMP

TITLE OSM STRAIGHT CABLE PLUG CRIMP ATTACHMENT M39012/55-3028 CAT. C

SIZE B	CODE IDENT NO. 26805	2031-8028-92	REV 01 ₀
--------	----------------------	--------------	---------------------

SCALE 10 : 1 SHEET 1 OF 1