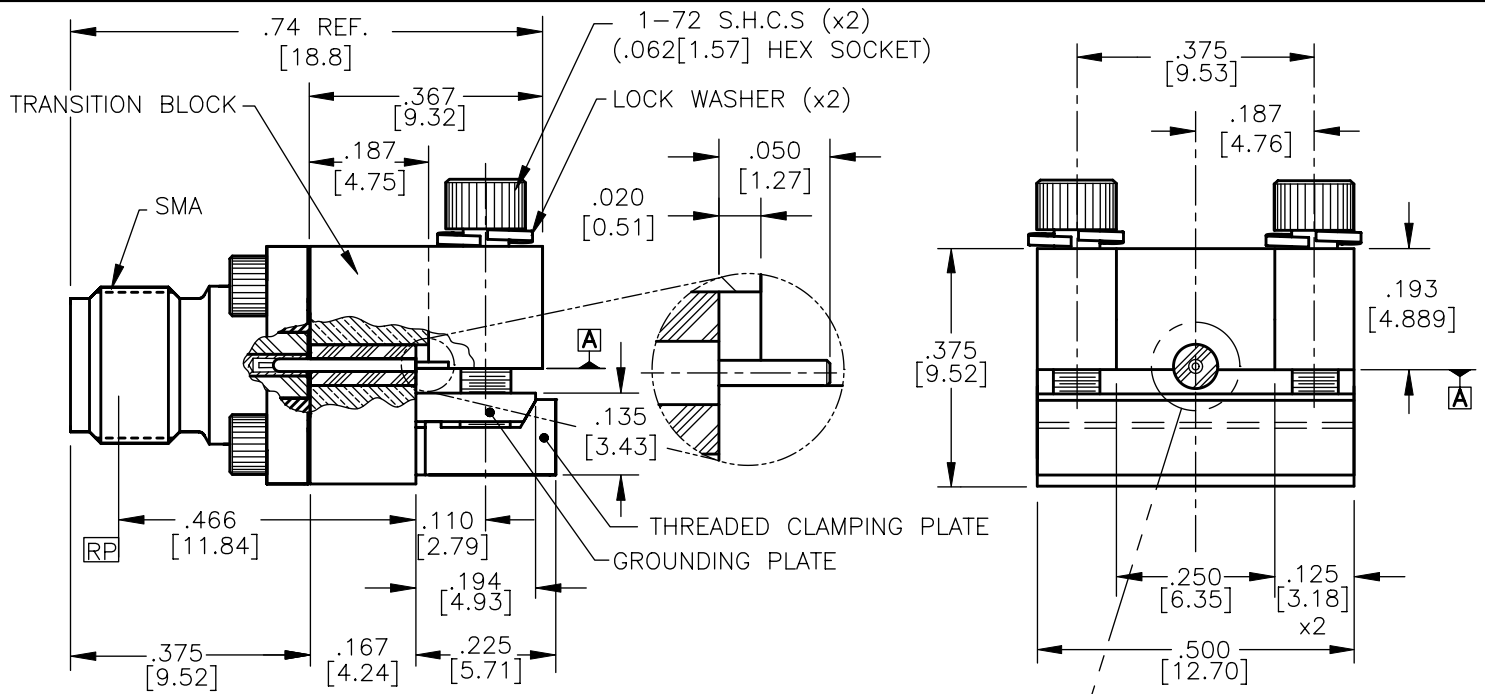
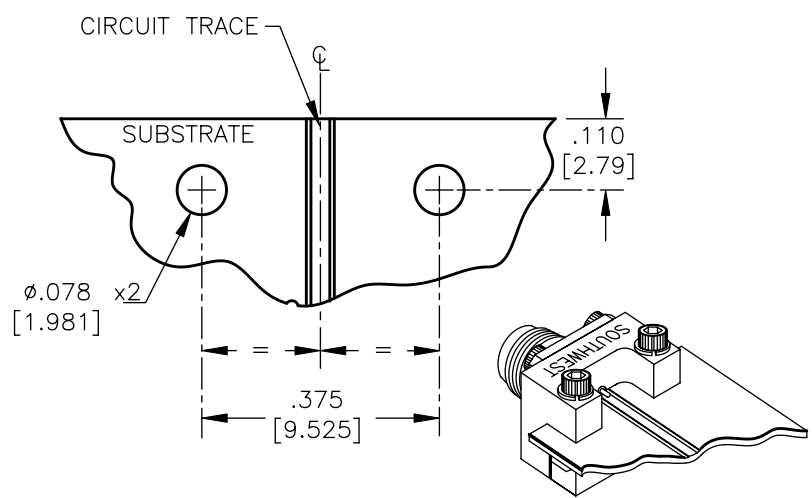
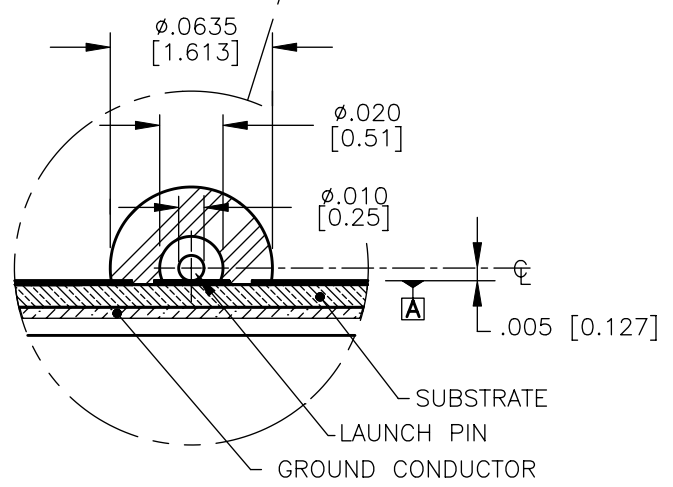


NOTE: Information herein is believed by Southwest Microwave, Inc. to be accurate. However, Southwest Microwave assumes no responsibility for any omissions or errors or inaccuracies for its use or for any infringements of patents or other rights of third parties that may result from its use. Data is intended for informational purpose only and does not constitute a contract of sale or any express or implied warranty, including any warranty of merchant ability or fitness for a particular purpose.




FIELD REPLACEABLE SMA CONNECTOR	
HOUSING:	STEEL, CRES ALLOY UNS-S30300 PER ASTM-A582. PASSIVATE PER ASTM-A967-99
CONTACT:	BeCu UNS-C17300 PER ASTM-B-196/197 GOLD PLATE PER MIL-G-45204
DIELECTRIC:	VIRGIN TFE FLUOROCARBON PER ASTM-D-1710 AND ASTM-D-1457
CAPTURE BEAD:	ULTEM 1000 PER ASTM-D-5205
TRANSITION BLOCK ASSEMBLY	
BLOCK:	BRASS ALLOY
GROUNDING PLATE:	UNS-C48500 PER ASTM-B36
THREADED PLATE:	NICKEL PLATE PER AMS 2404B
LAUNCH PIN:	BeCu UNS-C17300 PER ASTM-B-196/197 GOLD PLATE PER MIL-G-45204
DIELECTRIC:	VIRGIN TFE FLUOROCARBON PER ASTM-D-1710 AND ASTM-D-1457
FASTENERS:	PER ANSI B18.3.
ITEM	MATERIAL & FINISH



1. ALL DIMENSIONS ARE IN INCHES, ALL ANGLES ARE IN DEGREES. DIMENSIONS SHOWN IN BRACKETS [XXX] ARE MILLIMETERS. METRIC DIMENSIONS ARE FOR "REFERENCE ONLY".

NOTES: UNLESS OTHERWISE SPECIFIED

REV B	ECN: 8276	INIT: EJO	DATE: 3/7/06	APRVD: R.BOAK	DATE: 3/9/06	TITLE	SMA JACK (FEMALE) END LAUNCH CONNECTOR $\phi 0.010$ LAUNCH PIN WITH $\phi 0.0635$ DIELECTRIC		
 Southwest Microwave, Inc. 9055 South McKerny Street Tempe, Arizona 85284-2946 Telephone (480) 783-0201 Fax (480) 783-0360						DRN BY: SS	DATE: 6/04	MODEL NO. 292-04A-5	REV. B
						SCALE: 3:1	SHEET: 1 OF 1		DWG. NO. 79Y58090