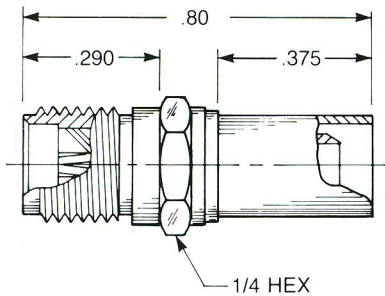


**Straight Jack**

- Noncaptive contact



Crimp type:

**9002-1023-0XX** (Gold plated)

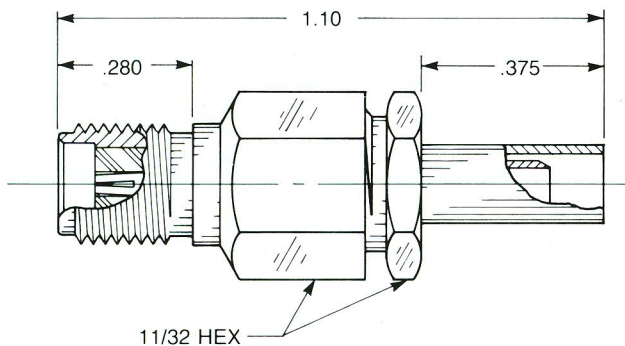
**9002-9023-0XX** (Passivated)

Solder type:

**9002-1033-0XX** (Gold plated)

**Straight Jack**

- Captive contact



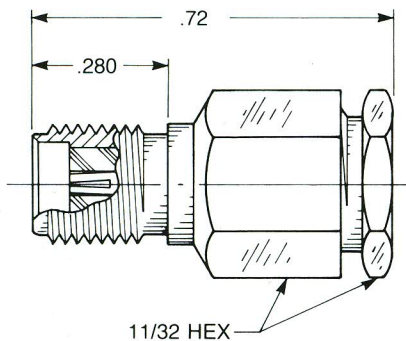
Crimp type:

**9102-1573-0XX** (Gold plated)

**9102-9573-0XX** (Passivated)

**Straight Jack**

- Captive contact



Clamp type:

**9202-1553-0XX** (Gold plated)

**9202-9553-0XX** (Passivated)

**Substitute the appropriate cable group for 'XX':**

01	RG142, RG223, M17/60, M17/84, M17/158	04	RG180, RG195, M17/95
02	RG178, RG196, M17/93, M17/169	05	RG178DS, RG196DS
03	RG174, RG179, RG316, M17/113, M17/119, M17/172, M17/173	06	RG58, RG141, RG303, M17/111, M17/155
		19	RG174DS, RG316DS, M17/152, Times RD316

