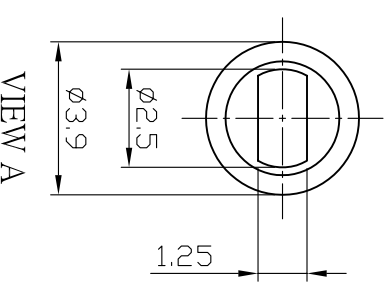
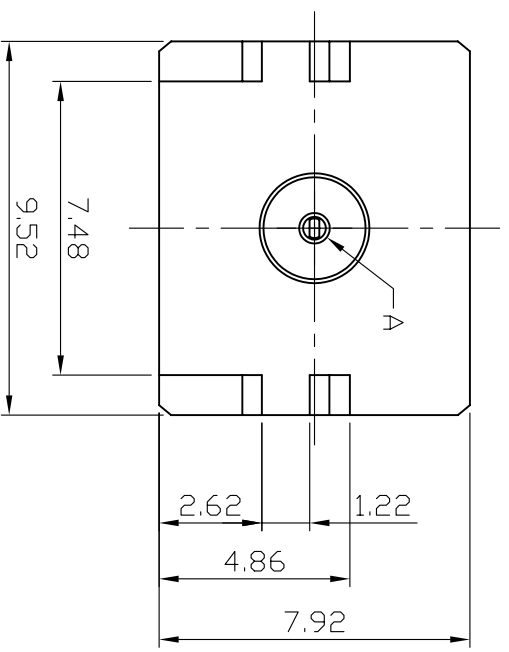
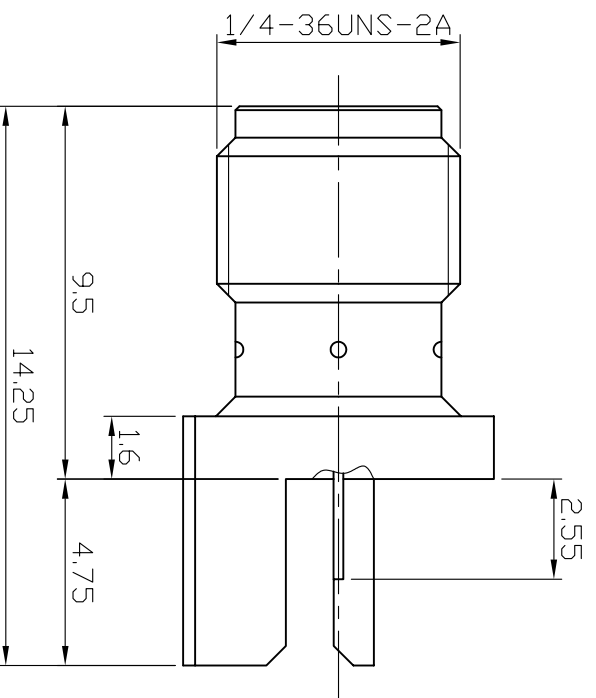


REVISION				
ASS. CON. REV. N/A	CON. REV. T	DESCRIPTION	DATE	APPROVED
		INITIAL RELEASE	2016/02/24	



MATERIAL:
 INSULATORS - TEFLON,
 CENTRE CONTACT - BERYLLIUM COPPER. (GOLD PLATED)
 OTHER METAL PARTS - BRASS. (GOLD PLATED)

DIMENSION ARE MILLIMETERS	SCALE	ASSEMBLY REV.	CONNECTOR REV.	UNIT	TITLE
UNLESS OTHERWISE SPECIFIED TOLERANCES (UNIT: MM) 0.5~5 = ± 0.05 5~10 = ± 0.07 10~20 = ± 0.10 20~30 = ± 0.15 30~ = ± 0.20	5 / 1	N/A	T	MM	JYE BAO CO., LTD. TAIPEI TAIWAN
APPROVED	CHECKED			DATE	SMA JACK P.C.B MOUNT END LAUNCH
DRAWING				DATE	DRAWING NO. SMA8434B-0000