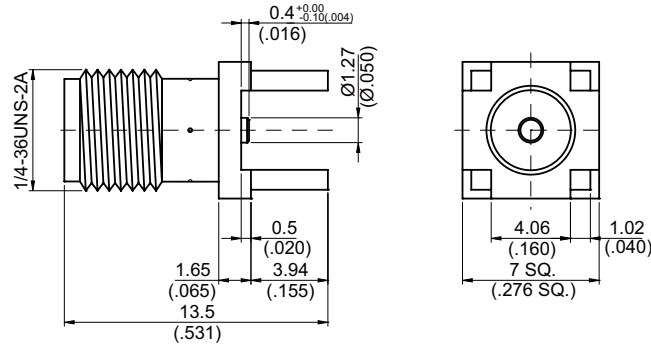


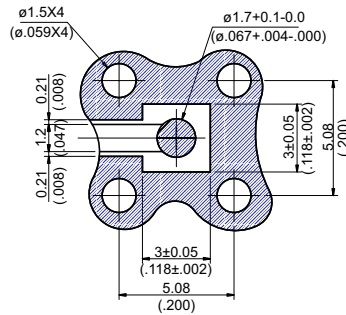
SMA84SHA-0000

SMA Jack P.C.B Mount

50Ω



MOUNTING HOLE:



RECOMMENDED PCB LAYOUT
 Pattern and signal are on the same side
 Thickness of PCB: 1.6mm
 The material of PCB: Er=4.8

Parts	Material	Plating (Micro-inch)
Contact Pin	Beryllium Copper	Gold 20 Over Nickel 50 Over Copper 50
Insulator	Teflon	
Body	Brass	Gold 5 Over Nickel 50 Over Copper 50

Weight:
 Suitable Cables:

This part number complies with RoHS.

Notice: JYEBAO reserves the right to make modifications deemed appropriate.