

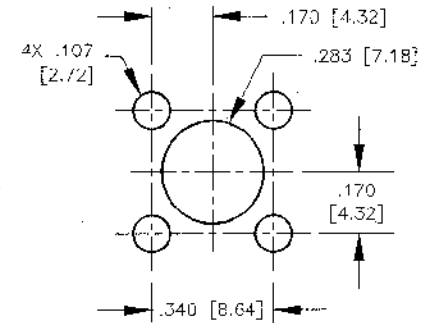
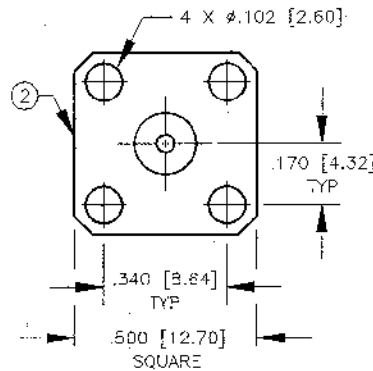
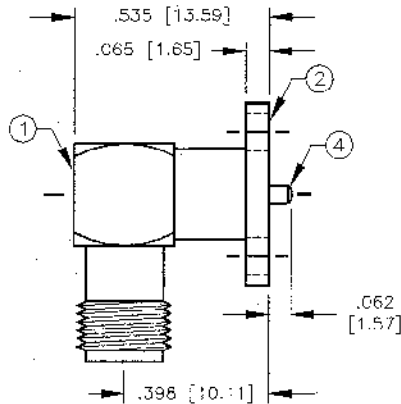
ENVELOPE / ASSEMBLY DRAWING

000000

SPECIFICATION CONTROL DRAWING	REV	DESCRIPTION	DWN	DATE	APPROVED
	A	ENGINEERING RELEASE	KMM	1/13/98	K. RICE

THIS DRAWING CONTAINS INFORMATION PROPRIETARY TO RF INDUSTRIES, LTD. ANY UNAUTHORIZED USE OF THIS DRAWING IS EXPRESSLY PROHIBITED. ANY VIOLATION IS PUNISHABLE UNDER U.S. COPYRIGHT LAWS.

ALL DIMENSIONS ARE REFERENCE ONLY



SUGGESTED MOUNTING CONFIG

SPECIFICATIONS:

IMPEDANCE: 50 OHMS

ITEM	DESCRIPTION	QTY	MATERIAL	FINISH
7	CAP	1	BRASS	NICKEL
6	DIELECTRIC	1	TEFLON	NONE
5	DIELECTRIC	1	TEFLON	NONE
4	CONTACT	1	BRASS	GOLD
3	CONTACT	1	BeCu	GOLD
2	FLANGE	1	BRASS	NICKEL
1	BODY	1	BRASS	NICKEL

DIMENSIONS ARE IN INCHES AND MILLIMETERS

UNLESS OTHERWISE NOTED TOLERANCES ARE:

DECIMALS DIAMETER

DRAWN	K. MAXWELL	1/13/98
CHECKED	<i>[Signature]</i>	<i>[Signature]</i>
ORJ DRAWN	K. MAXWELL	1/13/98
APPROVALS		DATE

RF connectors
DIVISION OF RF INDUSTRIES, LTD.

7610 M. RAMAR RD
SAN DIEGO, CA 92126
(619) 549-6340
(619) 549-6345 FAX

RSA-3285-03

SMA FEMALE R/A X HOLE FLANGE W/ POS. TERMINATION

SIZE	CABLE GROUP	DWG NO.	REV
A	N/A	8850	A
SCALE:	2:1	CAD FILE	13ARC LB
			SHEET 1 OF 1