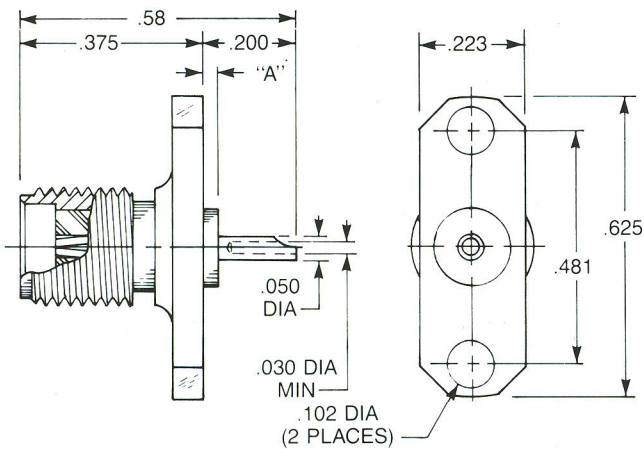


Straight Panel Jack Receptacle

- Solder pot contact
- 1/2" square flange

Captive contact:
9404-1113-000 (Gold plated)
9404-9113-000 (Passivated)

QPL version available (M39012/60)



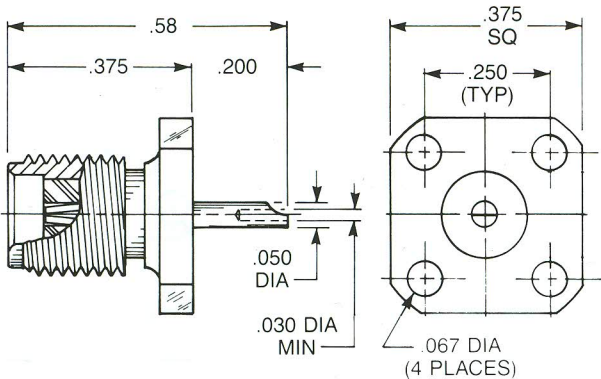
Straight Panel Jack Receptacle

- Solder pot contact
- 2-hole flange

Captive contact (A = .030):
9408-1113-000 (Gold plated)
9408-9113-000 (Passivated)

Captive contact (A = .000):
9408-1113-002 (Gold plated)
9408-9113-002 (Passivated)

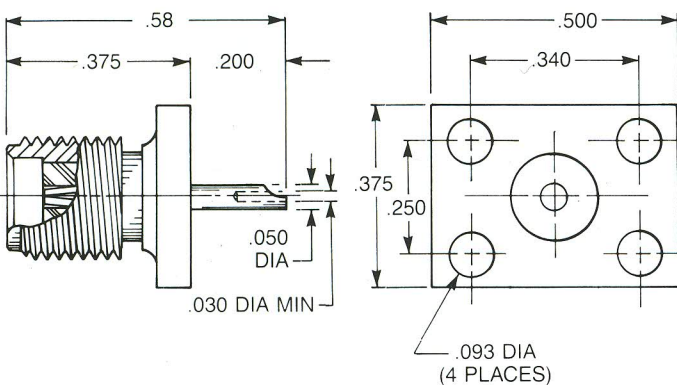
QPL version available (M39012/60)



Straight Panel Jack Receptacle

- Solder pot contact
- 3/8" square flange

Captive contact:
9476-1113-000 (Gold plated)
9476-9113-000 (Passivated)



Straight Panel Jack Receptacle

- Solder pot contact
- Rectangular flange

Captive contact:
9407-1113-000 (Gold plated)
9407-9113-000 (Passivated)

