

NOTES:

21-131-1000-25

Materials: SST. corrosion-resistant, Non Magnetic 303, per ASTM A484 and A582. Beryllium Copper per ASTM-B-196, QQ-C-530

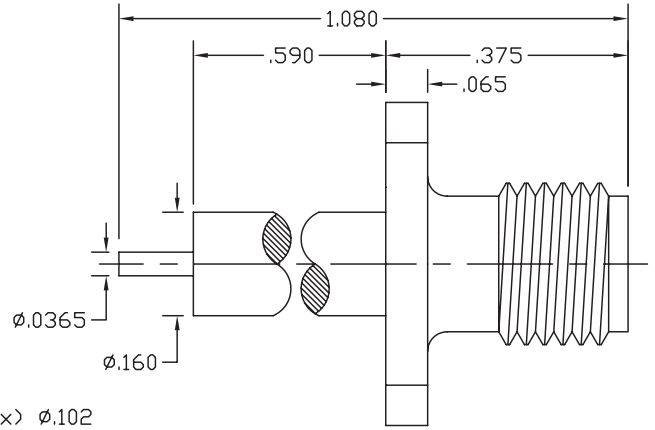
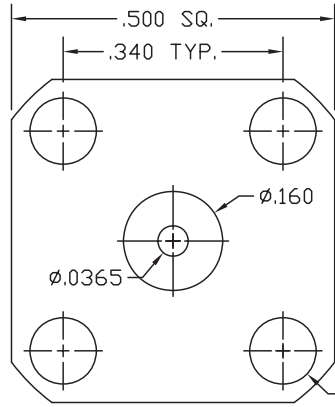
Finish: Center Conductors, body and solder components shall be plated per MIL-G-45204 Type II, Class 1 over Nickel plate per QQ-N-290.

Frequency: DC-18 GHz
 VSWR: 1.15 TO 18 GHz
 Insertion Loss: $.05\sqrt{\text{Frequency}}$

Captivation of Pin & Dielectric: Mechanical.

Max Operating Temp: (340°F / 171°C)

DIELECTRIC: ULTEM 1000



LTR	DESCRIPTION	DATE	APPR.	DRAWN SM	CHECKED	USED ON	SRI CONNECTOR GAGE CO. 751 NORTH DRIVE MELBOURNE FL. 32934	
-	REL	12/06		APPR.	SCALE	21-131-1000-25	TITLE	
				UNLESS OTHERWISE SPECIFIED: 1. REMOVE ALL BURRS 2. BREAK ALL CORNERS & EDGES .005 R. MAX 3. CHAMFER 1st & LAST THREADS 45° 4. SURFACE FINISHED 32/ UNLESS OTHERWISE SPECIFIED. 5. DIAMETERS ON COMMON CENTERS TO BE CONCENTRIC WITHIN .002 T.I.R. 6. ALL DIMENSIONS ARE AFTER PLATING.			SMA JACK RECEPTACLE 4 HOLE FLANGE MOUNT	
				DIMENSIONS ARE IN INCHES TOLERANCES			FINISH	
				DECIMALS	FRACTIONAL	ANGULAR	SIZE	FSCM NO.
				.X ±.030		.X° ±P0'	A	OHMO1
				.XX ±.010	± 1/64	.X°X' ±15'		
				.XXX +.005				
							SHEET	DWG. NO.
							1	21-131-1000-25