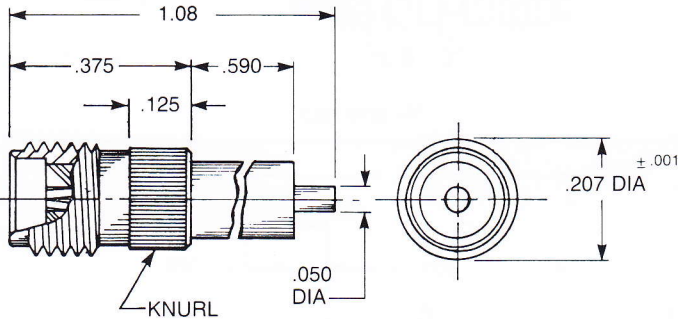


These knurl mount receptacles can provide an economical alternative to flange mounted connectors, and are especially useful in dense packaging applications.

To ensure retention, these connectors should be used in panels of .100" minimum thickness. Gold-plated bodies can be soldered to the panel if necessary, but an absolute minimum of heat should be used to prevent insulator damage.



Straight Jack Receptacle

- Extended contact and insulator

Captive contact:

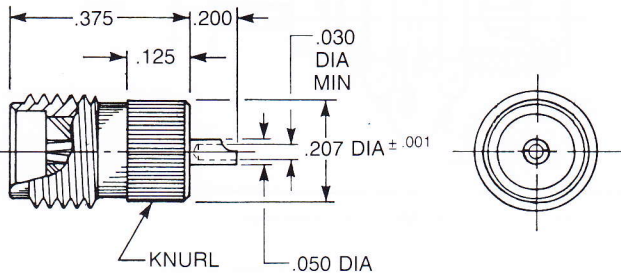
9033-1113-000 (Gold plated)

9033-9113-000 (Passivated)

Noncaptive contact:

9033-1213-000 (Gold plated)

9033-9213-000 (Passivated)



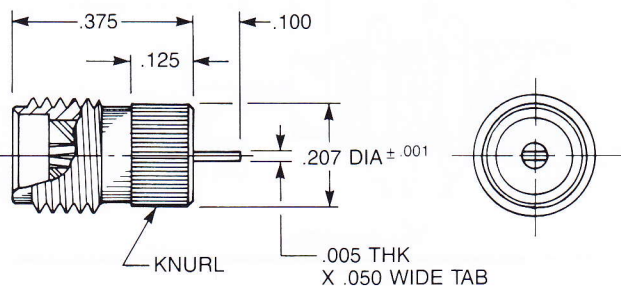
Straight Jack Receptacle

- Solder pot contact

Captive contact:

9433-1113-000 (Gold plated)

9433-9113-000 (Passivated)



Straight Jack Receptacle

- Tab contact

Captive contact:

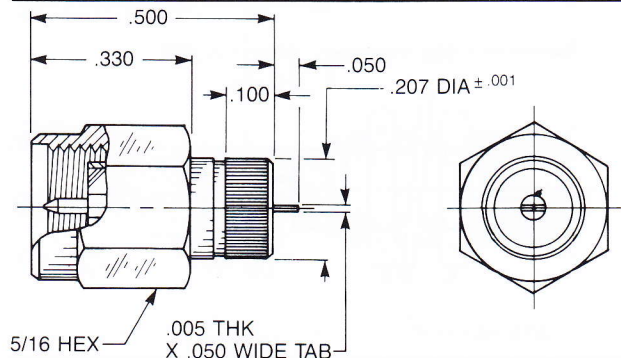
9133-1113-000 (Gold plated)

9133-9113-000 (Passivated)

Noncaptive contact:

9133-1213-000 (Gold plated)

9133-9213-000 (Passivated)



Straight Plug Receptacle

- Tab contact

Captive contact:

9139-1113-000 (Gold plated)

9139-9113-000 (Passivated)

Noncaptive contact:

9139-1213-000 (Gold plated)

9139-9213-000 (Passivated)

Available with other contact and insulator configurations

e-mail: aepsales@aepconnectors.com

AEP New Haven, CT
203/776-2813