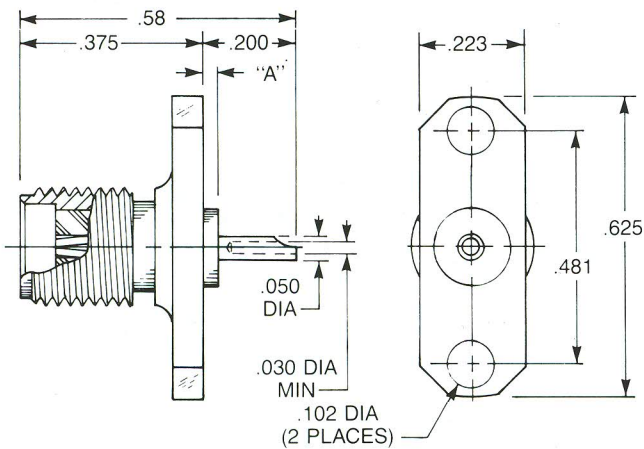


## Straight Panel Jack Receptacle

- Solder pot contact
- 1/2" square flange

Captive contact:  
**9404-1113-000** (Gold plated)  
**9404-9113-000** (Passivated)

QPL version available (M39012/60)



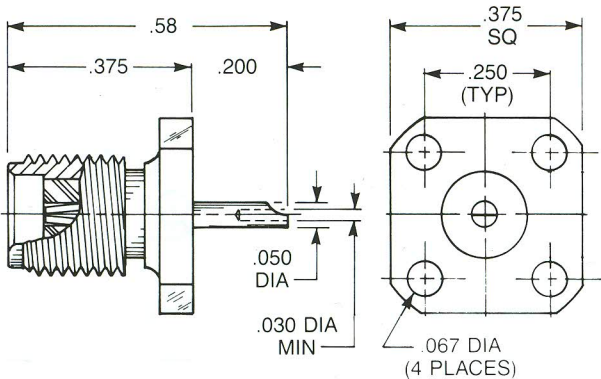
## Straight Panel Jack Receptacle

- Solder pot contact
- 2-hole flange

Captive contact (A = .030):  
**9408-1113-000** (Gold plated)  
**9408-9113-000** (Passivated)

Captive contact (A = .000):  
**9408-1113-002** (Gold plated)  
**9408-9113-002** (Passivated)

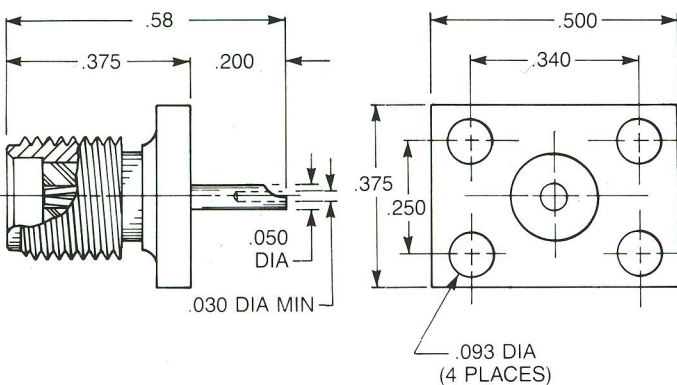
QPL version available (M39012/60)



## Straight Panel Jack Receptacle

- Solder pot contact
- 3/8" square flange

Captive contact:  
**9476-1113-000** (Gold plated)  
**9476-9113-000** (Passivated)



## Straight Panel Jack Receptacle

- Solder pot contact
- Rectangular flange

Captive contact:  
**9407-1113-000** (Gold plated)  
**9407-9113-000** (Passivated)

