

| PART NUMBER | ITEM ① BODY | ITEM ② CONTACT (ONE PIECE) | ITEM ③ INSULATOR | ITEM ④ INSULATOR |
|--------------|-------------------------------------------------------------------------|--------------------------------------------------------------------------------------------------|---------------------|---------------------|
| 141-0701-301 | STAINLESS STEEL GOLD PL .00005 MIN OVER NICKEL PL .00005 MIN OVER | BERYLLIUM COPPER GOLD PL .00005 MIN OVER NICKEL PL .00005 MIN OVER COPPER PL .00005 MIN | TEFLON | TEFLON |

DRAWING NO.
C - 141-0701-301/310

0 REVISIONS

ENGINEERING RELEASE
01 05-21-90 EJ G R A 5-30-90
J B J B A ECO 24648

ADDED: SQ .273+- .010.
DELETED: COPPER PL .00005 MIN.
REVISED FIGURE.

2 3-11-91 M R J A 3-15-91
G B J B W ECO 40138

CHANGED: .375+- .005 WAS 367+- .010

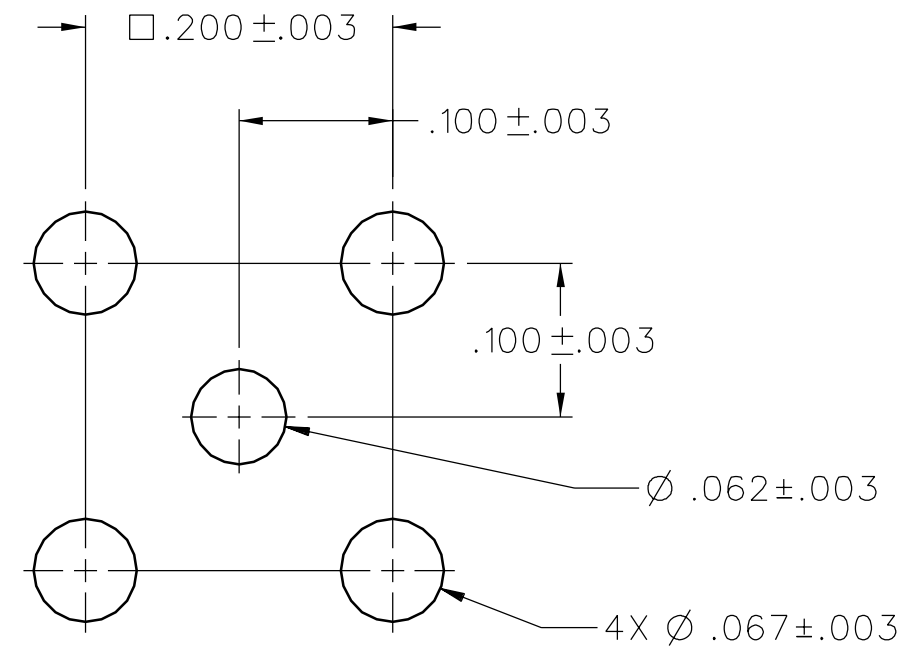
3 4-28-92 R L R H 5-11-92
H S J B M ECO 41008

CHANGED: DRAWING WAS "C" SIZE
SCALE 10:1

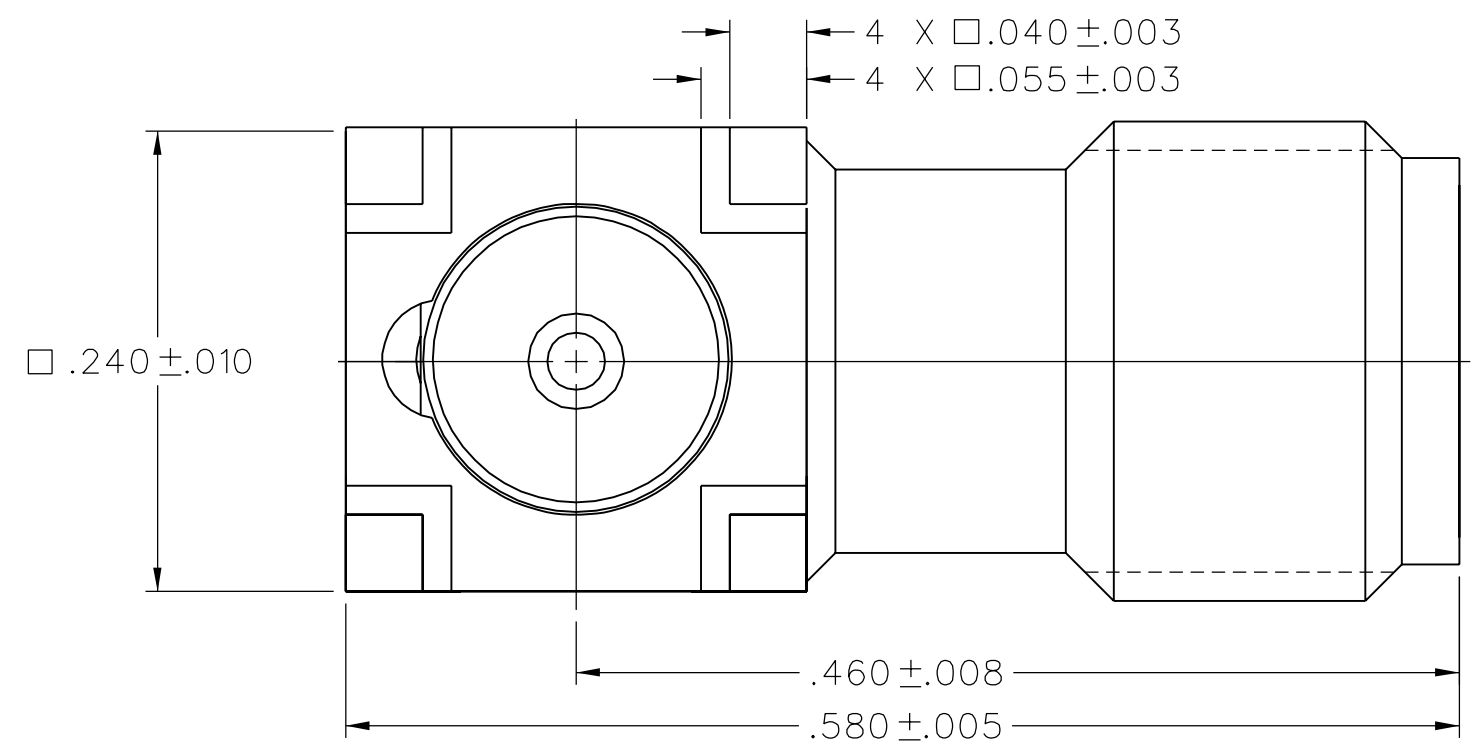
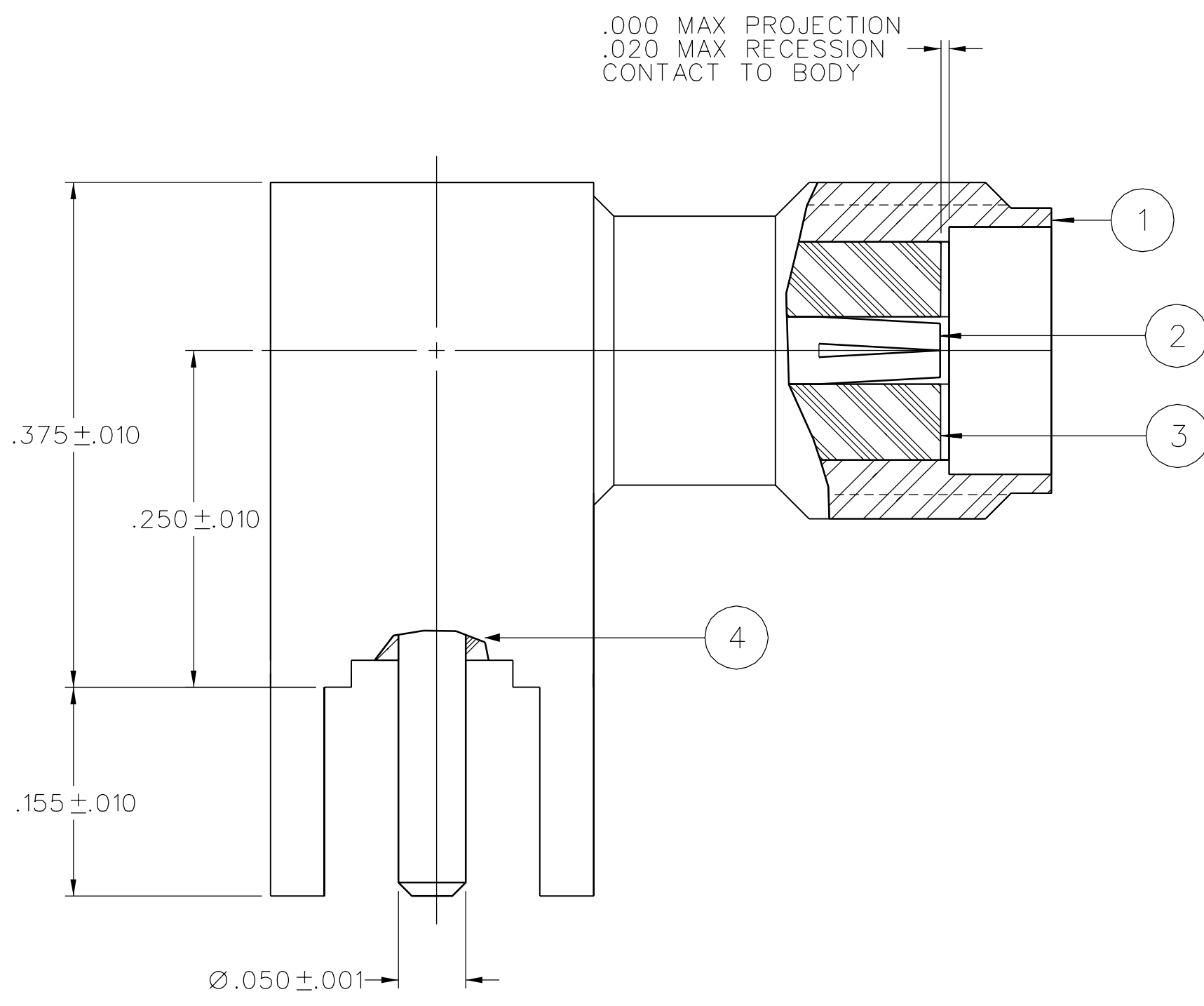
3a 7-24-96 R J R 6-23-06
H N J B W ECN 44108

.50±.005 WAS .595±.005, .460±.008
WAS .458±.008, .240±.010 WAS
.273±.010

4 4-19-06 P S P T 6-23-06
A B D A ECN 50397
T W K



MOUNTING HOLE LAYOUT



NOTES:

1. SPECIFICATIONS:

IMPEDANCE: 50 OHMS
 FREQUENCY RANGE: 0-18 GHZ
 VSWR: NOT APPLICABLE
 WORKING VOLTAGE: 335 VRMS MAX AT SEA LEVEL
 DIELECTRIC WITHSTANDING VOLTAGE: 1000 VRMS MIN AT SEA LEVEL
 INSULATION RESISTANCE: 5000 MEGOHM MIN
 CONTACT RESISTANCE:
 CENTER CONTACT - INITIAL 3.0 MILLIOHM MAX, AFTER ENVIRONMENTAL 4.0 MILLIOHM MAX
 OUTER CONDUCTOR - INITIAL 2.0 MILLIOHM MAX, AFTER ENVIRONMENTAL NOT APPLICABLE
 BRAID TO BODY - NOT APPLICABLE
 CORONA LEVEL: 250 VOLTS MIN AT 70,000 FEET
 INSERTION LOSS: NOT APPLICABLE
 RF LEAKAGE: NOT APPLICABLE
 RF HIGH POTENTIAL WITHSTANDING VOLTAGE: 670 VRMS MIN AT 5 MHZ

MECHANICAL:

ENGAGE/DISENGAGE TORQUE: 2 INCH-POUNDS MAX
 MATING TORQUE: 7-10 INCH POUNDS
 COUPLING PROOF TORQUE: NOT APPLICABLE
 COUPLING NUT RETENTION: NOT APPLICABLE
 CONTACT RETENTION: 6 LBS MIN AXIAL FORCE
 CABLE ACCEPTABILITY: NOT APPLICABLE
 CABLE HEX CRIMP SIZE: NOT APPLICABLE
 CABLE RETENTION: NOT APPLICABLE
 DURABILITY: 500 CYCLES MIN

ENVIRONMENTAL:

(MEETS OR EXCEEDS THE APPLICABLE PARAGRAPH OF MIL-PRF-39012)
 THERMAL SHOCK: MIL-STD-202, METHOD 107, CONDITION B
 OPERATING TEMPERATURE: -65 DEG C TO 165 DEG C
 CORROSION: MIL-STD-202, METHOD 101, CONDITION B
 SHOCK: MIL-STD-202, METHOD 213, CONDITION I
 VIBRATION: MIL-STD-202, METHOD 204, CONDITION D
 MOISTURE RESISTANCE: MIL STD 202, METHOD 106

CUSTOMER DRAWING

THIS DRAWING TO BE INTERPRETED
PER ASME Y 14.5M - 1994

"μSTATION"

COMPANY CONFIDENTIAL

| | | | |
|--------------------------------------|-------------------------|------------------|--------------------------------------------------------------------------------------|
| TOLERANCE UNLESS OTHERWISE SPECIFIED | DRAWN BY <i>EJ</i> | DATE 11-15-02 | Connectivity Solutions P.O. Box 1732 Waseca, MN 56093 1-800-247-8256 |
| DECIMALS _____ mm | CHECKED BY | DATE | |
| .XXX _____ | APPROVED BY RJB/GLD | DATE 5-22-90 | TITLE JACK ASSEMBLY, RA PC MOUNT SMA |
| MATL _____ | RELEASE DATE 5-30-90 | SHEET 2 OF 2 | DRAWING NO. C - 141-0701-301/310 |
| FINISH _____ | U/M INCH SCALE 10:1 | | |