

High Performance SMA Connector PSF-S02-000/001

www.gigalane.com



GigaLane High Performance SMA Connectors are designed for applications up to 26.5 GHz in the common high frequency substrates and it is suitable for military and microwave frequencies.

► Specification

Electrical

Frequency	DC ~ 26.5 GHz
Impedance	50 Ω
VSWR	1.2 : 1 (@ 18 GHz) 1.3 : 1 (@ 26.5 GHz)
Insulation Resistance	5000 MΩ
Dielectric Withstand Voltage	1000 Vrms Max
Contact Resistance - Outer Conductor - Inner Conductor	2mΩ max 3mΩ max
Insertion Loss	0.4 dB max(@26.5 GHz)
RF Leakage	-90 dB
Power Handling	200W (@2 GHz)

Materials

Body	Brass (Gold Plated)
Center Contact	Beryllium Copper (Gold Plated)
Insulator	PTFE

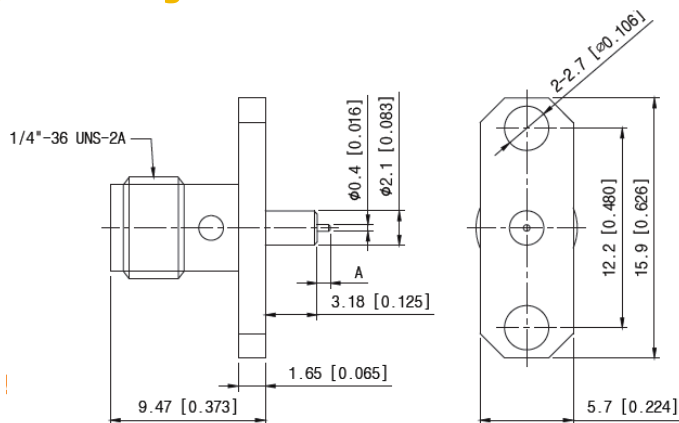
Mechanical

Mating Cycle (Durability)	500
Recommended Mating Torque Proof Torque	0.9 ~ 1.13 Nm / 8 ~ 10 lbs 1.7 Nm / 15.0 lbs
Coupling Nut Retention Force	270 N / 27.7 kfg / 61 lbs
Center Contact Retention Force	2.6 pound (axial)

Environmental

Temperature	- 40°C to + 125°C
Thermal Shock	MIL-STD-202, Method 107, Condition B
Corrosion (salt Spray)	MIL-STD-202, Method 101, Condition B, 5% salt
Shock	MIL-STD-202, Method 213, Condition I
Vibration	MIL-STD-202, Method 204, Condition D (20G)
Moisture Resistance	MIL-STD-202, Method 106

► Drawing



Unit : mm [inch]

Part No.	DIM A
PSF-S02-000	0.80 [0.03]
PSF-S02-001	1.50 [0.06]
Type	2 Hole, 15.9mm Long
Gender	Female