

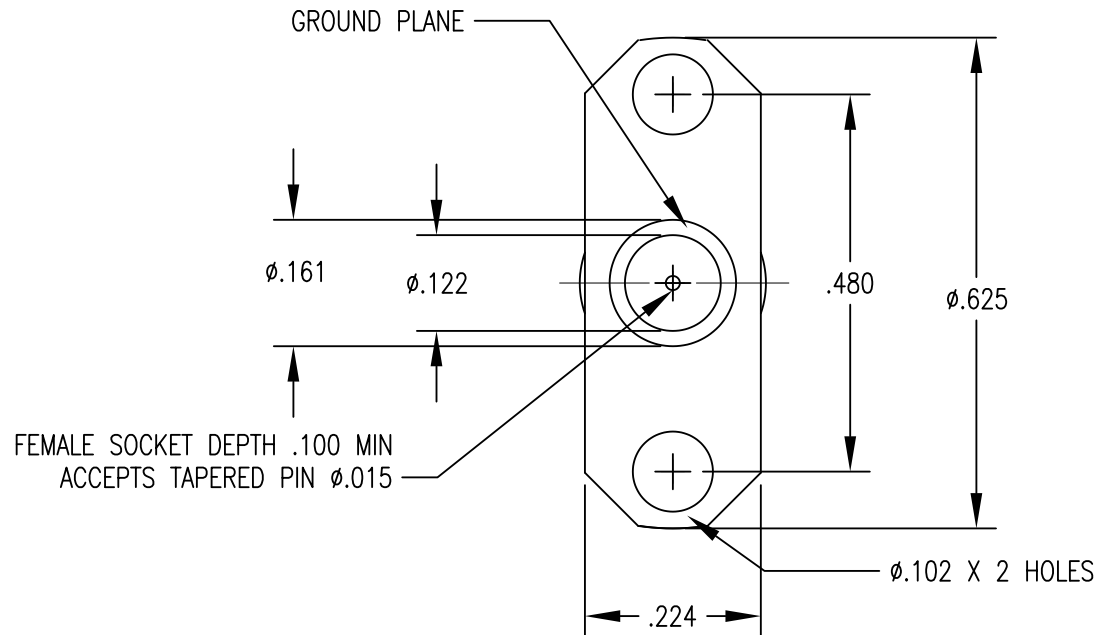
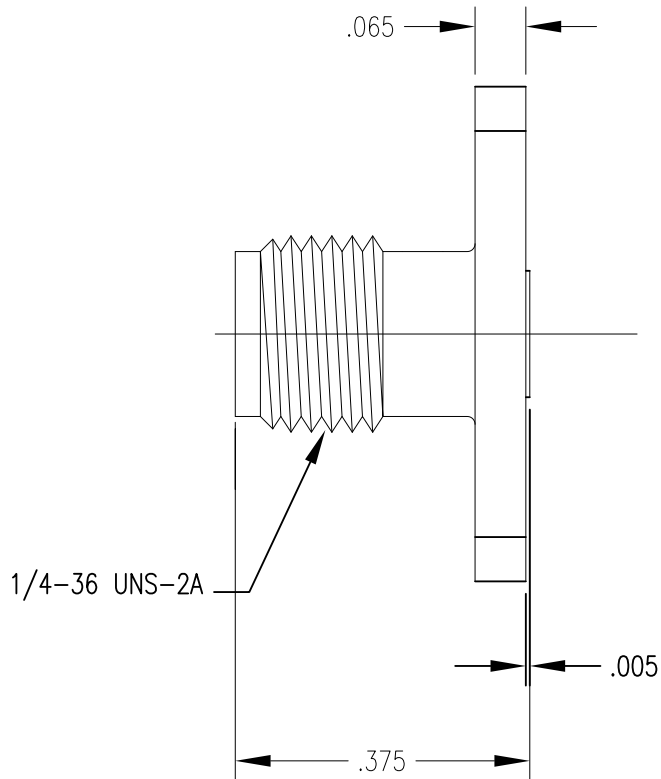
- 1.0 PERFORMANCE:
 1.1 FREQUENCY RANGE DC-27 GHz
 1.2 VSWR TYP < 1.25 THRU 20 GHz
 < 1.07 (DC-11 GHz)
 < 0.85+.02f (11-26.5 GHz)
 1.3 SYSTEM IMPEDANCE 50 OHMS
 1.4 DW: 1000 Vrms @ 60 Hz (SEA LEVEL)
 1.5 VOLTAGE RATING: 335 Vrms (SEA LEVEL)
 1.6 TEMP RANGE: -65 / +165 °C

- 2.0 MATERIALS
 2.1 SOCKET CONTACT: BeCu
 2.2 BODY: SS303
 2.3 INSULATOR: PTFE
 3.0 FINISHES: SEE TABLE

- 4.0 MECHANICAL
 4.1 INTERFACES PER MIL-STD-348
 4.2 SOCKET MATING CHARACTERISTICS:
 INSERTION FORCE ϕ .016 PIN: 20 OZ TYP, 30 OZ MAX
 WITHDRAWAL FORCE ϕ .014 PIN: 0.5 OZ MIN
 4.3 CONTACT RETENTION: 4 LBS MIN
 4.4 DURABILITY: 500 CYCLES

DWG NO. OL-1206-18-1 REV. E

PART NUMBER	BODY	CONTACT
1206-18-PJ	PASSIVATE	Au / Ni
1206-18-DJ	.000030 MIN Au OVER .000080/.000150 Ni OVER WATTS NICKEL STRIKE	Au / Ni



Rev. E	ADD PLATING CODE -DJ	NEW	4/26/11	FSH	FSH
D	UPDATE PER TEST RESULTS	USE	12/15/06	DVP	FSH
C	UPDATE PER TEST RESULTS	USE	9/7/05	WJ	FSH
B	UPDATE RF PERFORMANCE	NEW	4/15/05	RF	FSH
A	ORIGINAL	NEW	7/6/04		
Rev.	Revisions	Disp.	Date	Dwn.	Appd.
	RECOM. STOCK SIZE	FT/M PCS	Ref.:	REMOVE ALL BURRS AND SHARP EDGES .005 MAX.	INTERPRET PER ASME Y14.5M-1994
	SK				

THIS DRAWING CONTAINS CONFIDENTIAL INFORMATION PROPRIETARY TO SAN-TRON INC. IT MUST NOT BE REPRODUCED OR DISCLOSED TO OTHERS OR USED IN ANY OTHER WAY, IN WHOLE OR PART EXCEPT AS AUTHORIZED IN WRITING BY SAN-TRON INCORPORATED.

UNLESS OTHERWISE SPECIFIED:
 ALL DIMENSIONS ARE IN INCHES.
 ALL DIMENSIONS ARE AFTER PLATING.
 .XXX = \pm .005 ALL MACHINED SURFACES $63\sqrt{\text{MAX}}$.
 .XX = \pm .01 ANG. $\pm 1/2^\circ$ FRACTIONAL = $\pm 1/64$
 $\text{[} \text{ } \text{]}$.004 MAX. TIR. $\text{[} \perp \text{]}$ AXIS .001

THIRD ANGLE PROJECTION

DWN	DT	06/22/04
CHKD	LAP	X
APPR	FSH	7/6/04

SAN-TRON, INC.
 4 NEWBURYPORT TPK. IPSWICH MA USA 01938
 TEL: 978 - 356 - 1585 FAX: 978 - 356 - 1573
 WWW.santron.com E MAIL: santron@santron.com

TITLE SMA RECEPTACLE, STRAIGHT FEMALE, 2 HOLE FLANGE, FIELD REPLACEABLE (ϕ .015 PIN)

MATERIAL: SEE NOTE 2.0 FINISH: SEE NOTE 3.0

CAGE CODE: 50896 DWG NO. OL-1206-18-1 REV. E

SCALE X:X