



Straight Panel Jack

- Direct solder attachment
- Square flange
- Noncaptive contact

For .085" semi-rigid (A = .089):

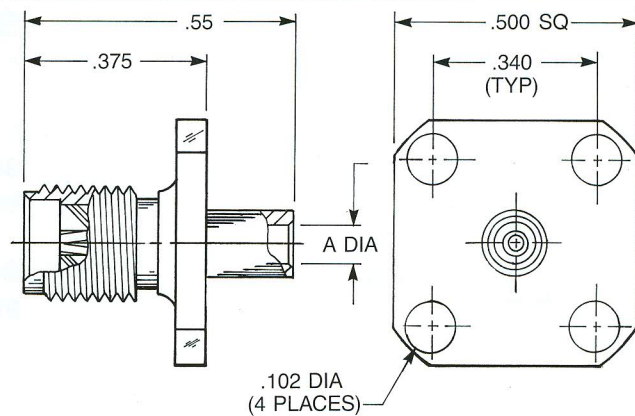
9431-1083-010 (Gold plated)

9431-7083-010 (Nickel plated)

For .141" semi-rigid (A = .144):

9431-1083-009 (Gold plated)

9431-7083-009 (Nickel plated)



Straight Panel Jack

- Direct solder attachment
- Square flange
- Captive contact for one-step cable assembly

For .085" semi-rigid (A = .089):

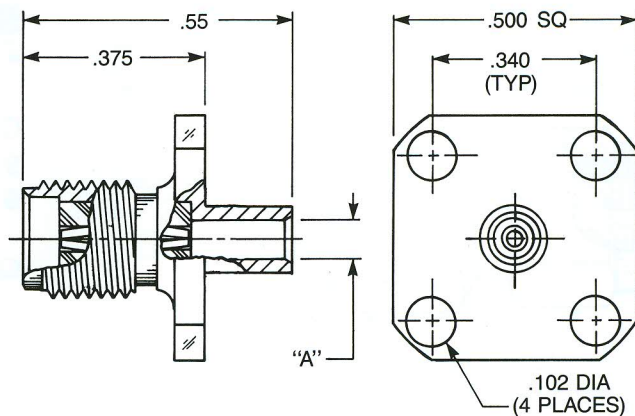
9431-1583-010 (Gold plated)

9431-7583-010 (Nickel plated)

For .141" semi-rigid (A = .144):

9431-1583-009 (Gold plated)

9431-7583-009 (Nickel plated)



Straight Panel Jack

- Direct solder attachment
- 2-hole flange
- Noncaptive contact

For .085" semi-rigid (A = .089):

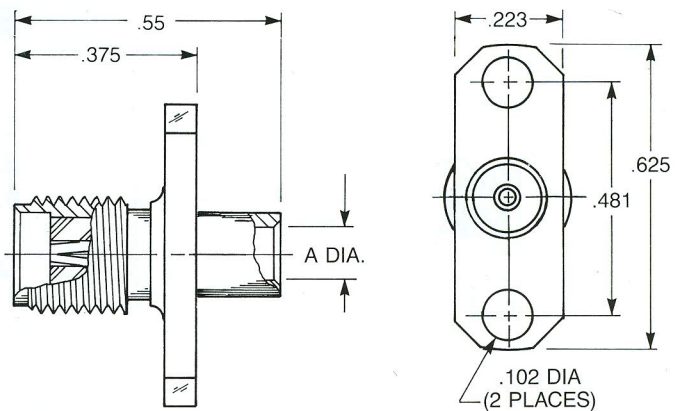
9441-1083-010 (Gold plated)

9441-7083-010 (Nickel plated)

For .141" semi-rigid (A = .144):

9441-1083-009 (Gold plated)

9441-7083-009 (Nickel plated)



Straight Panel Jack

- Direct solder attachment
- 2-hole flange
- Captive contact for one-step cable assembly

For .085" semi-rigid (A = .089):

9441-1583-010 (Gold plated)

9441-7583-010 (Nickel plated)

For .141" semi-rigid (A = .144):

9441-1583-009 (Gold plated)

9441-7583-009 (Nickel plated)

