



Straight Panel Jack

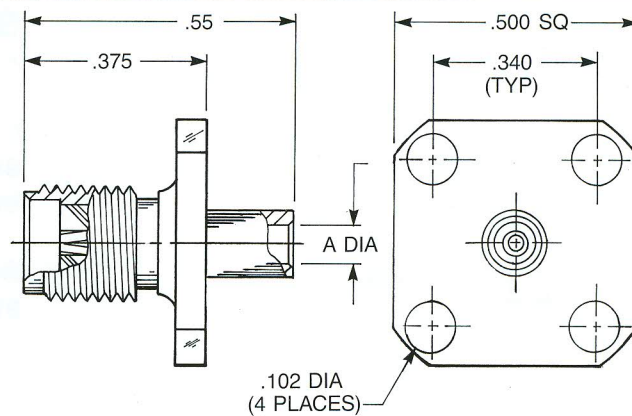
- Direct solder attachment
- Square flange
- Noncaptive contact

For .085" semi-rigid (A = .089):

- 9431-1083-010** (Gold plated)
- 9431-7083-010** (Nickel plated)

For .141" semi-rigid (A = .144):

- 9431-1083-009** (Gold plated)
- 9431-7083-009** (Nickel plated)



Straight Panel Jack

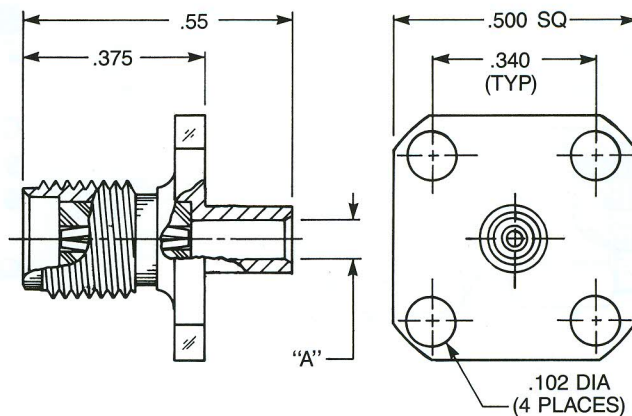
- Direct solder attachment
- Square flange
- Captive contact for one-step cable assembly

For .085" semi-rigid (A = .089):

- 9431-1583-010** (Gold plated)
- 9431-7583-010** (Nickel plated)

For .141" semi-rigid (A = .144):

- 9431-1583-009** (Gold plated)
- 9431-7583-009** (Nickel plated)



Straight Panel Jack

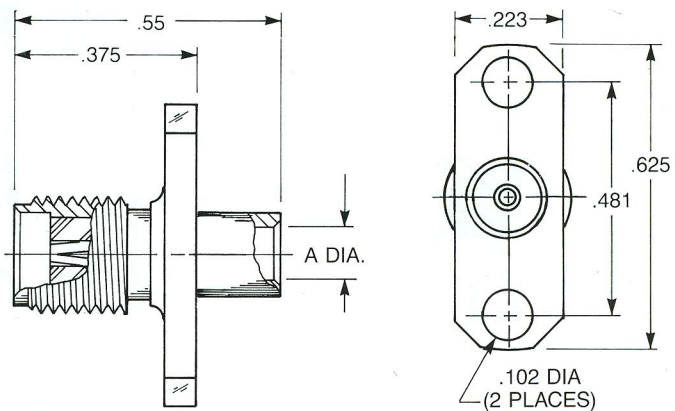
- Direct solder attachment
- 2-hole flange
- Noncaptive contact

For .085" semi-rigid (A = .089):

- 9441-1083-010** (Gold plated)
- 9441-7083-010** (Nickel plated)

For .141" semi-rigid (A = .144):

- 9441-1083-009** (Gold plated)
- 9441-7083-009** (Nickel plated)



Straight Panel Jack

- Direct solder attachment
- 2-hole flange
- Captive contact for one-step cable assembly

For .085" semi-rigid (A = .089):

- 9441-1583-010** (Gold plated)
- 9441-7583-010** (Nickel plated)

For .141" semi-rigid (A = .144):

- 9441-1583-009** (Gold plated)
- 9441-7583-009** (Nickel plated)

