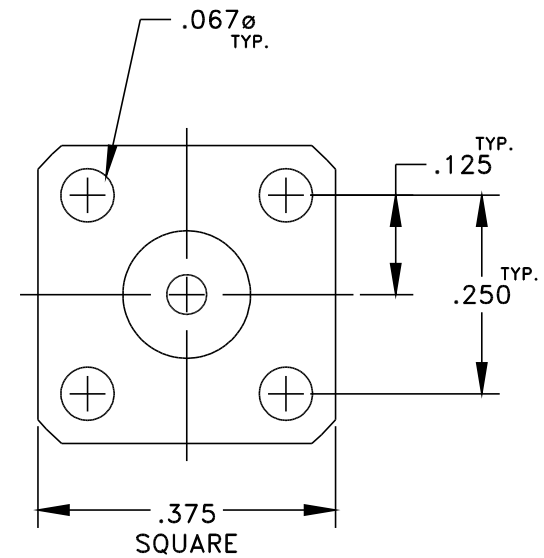
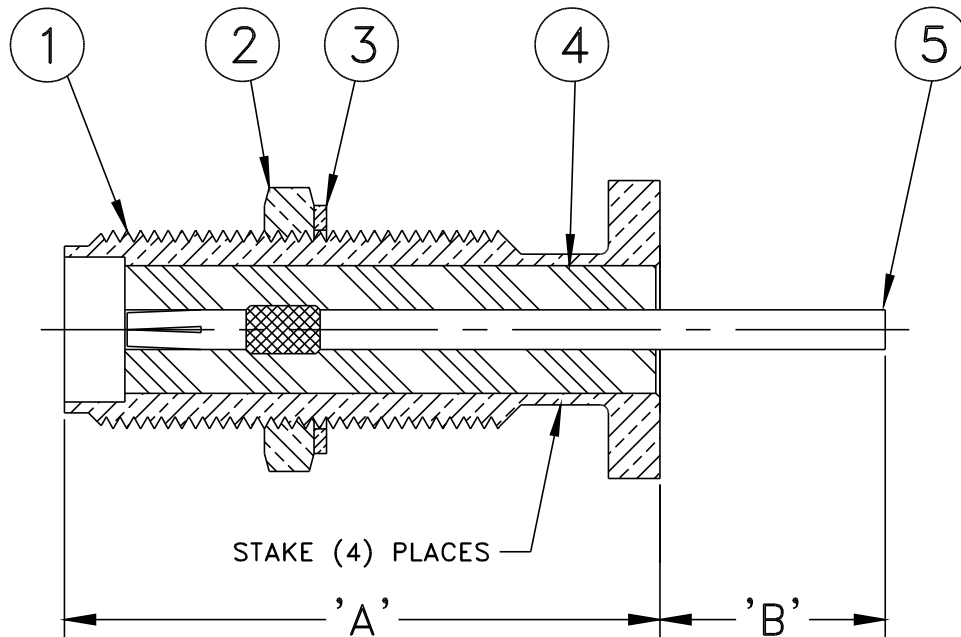


DASH #	BODY MATERIAL	BODY FINISH	CONTACT FINISH	'A'	'B'
-1	BRASS	GOLD	GOLD	.750	.284

THIS DOCUMENT CONTAINS PROPRIETARY INFORMATION & MAY NOT BE REPRODUCED OR DISCLOSED TO OTHERS WITHOUT WRITTEN CONSENT FROM CONNECTRONICS, INC.



REVISIONS  
 -A-  
 ECN1894  
 ADDED HEX NUT AND  
 LOCKWASHER.  
 JB 4/5/99

		FSCM 43608
		TOLERANCES UNLESS OTHERWISE SPECIFIED
DWG BY: KLR	DATE: 01/14/99	2 PL DEC $\pm$ .020
APVD BY:	SCALE:	3 PL DEC $\pm$ .005
MATERIAL:		ANG. DIM $\pm$ 1/2 $^\circ$
FINISH:		
DESCRIPTION: SMA		DRAWING NO.
JACK, FLANGE MOUNT		42-495
		SHT 1 OF 1